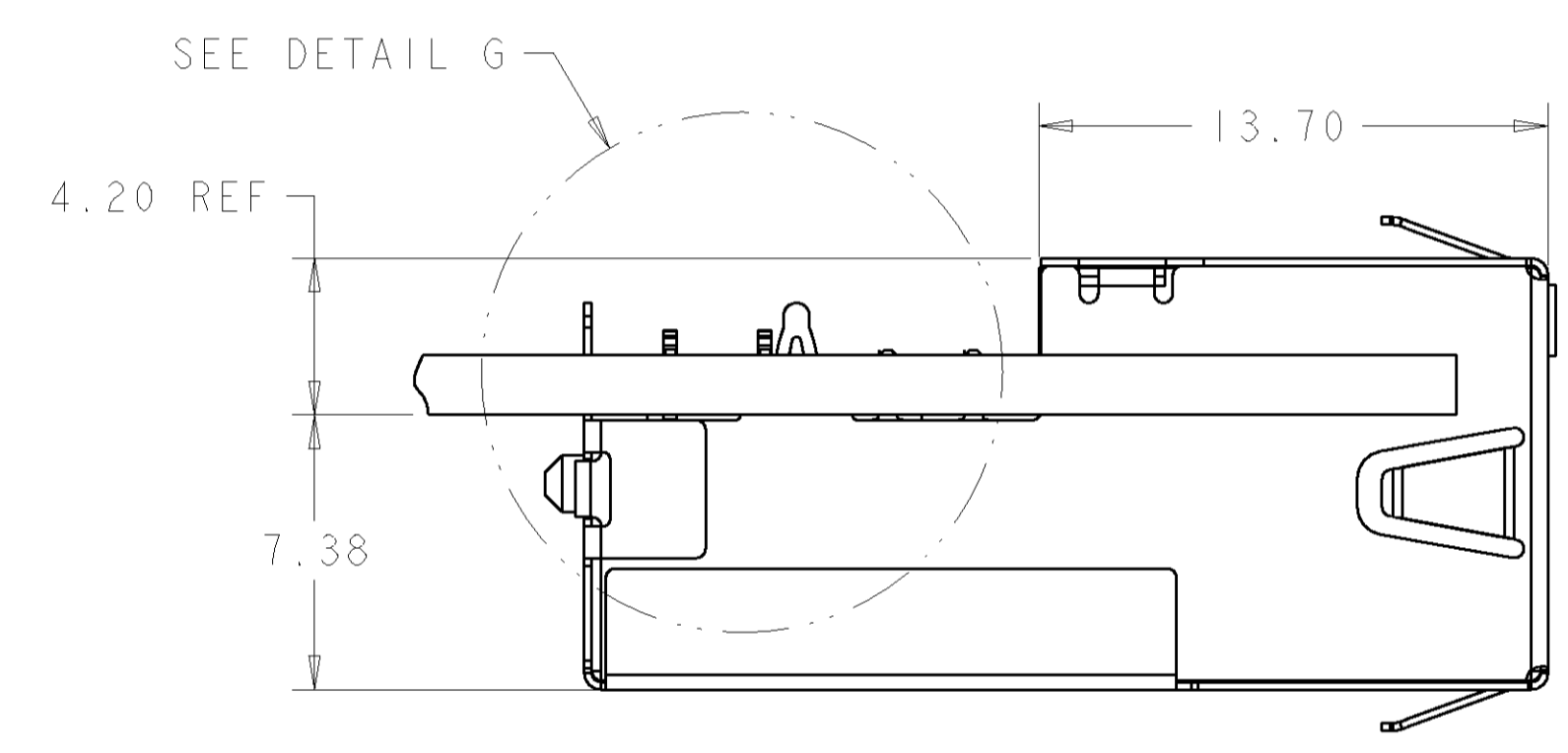
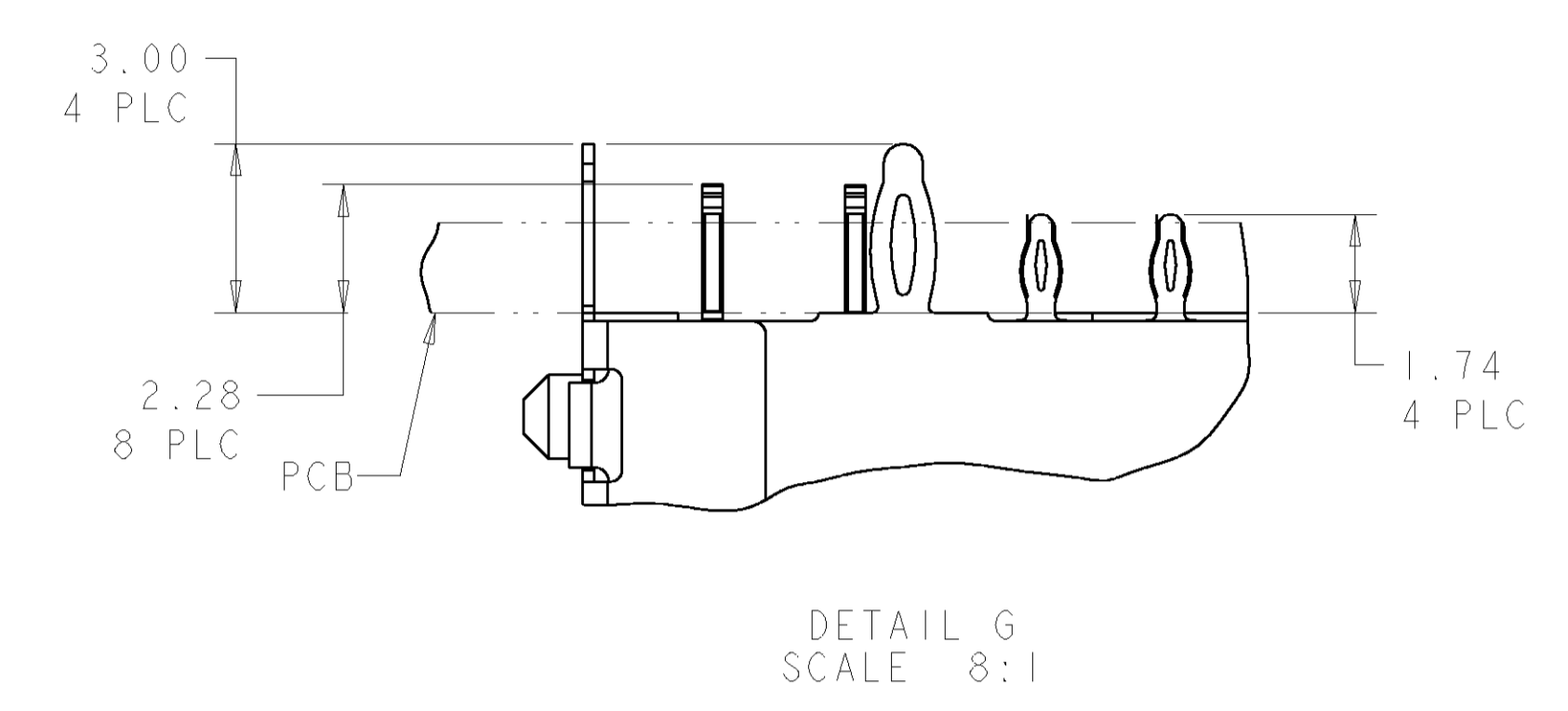
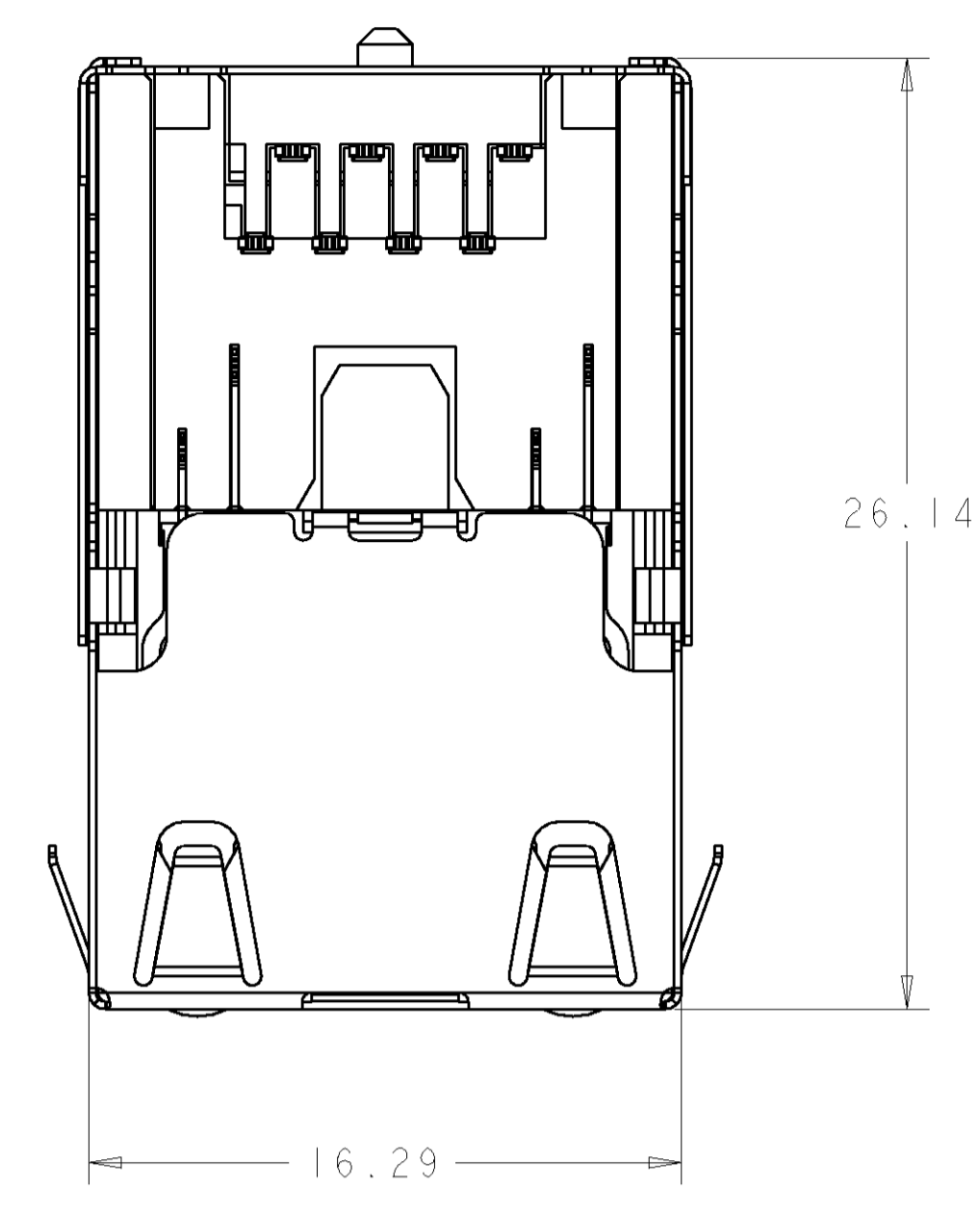
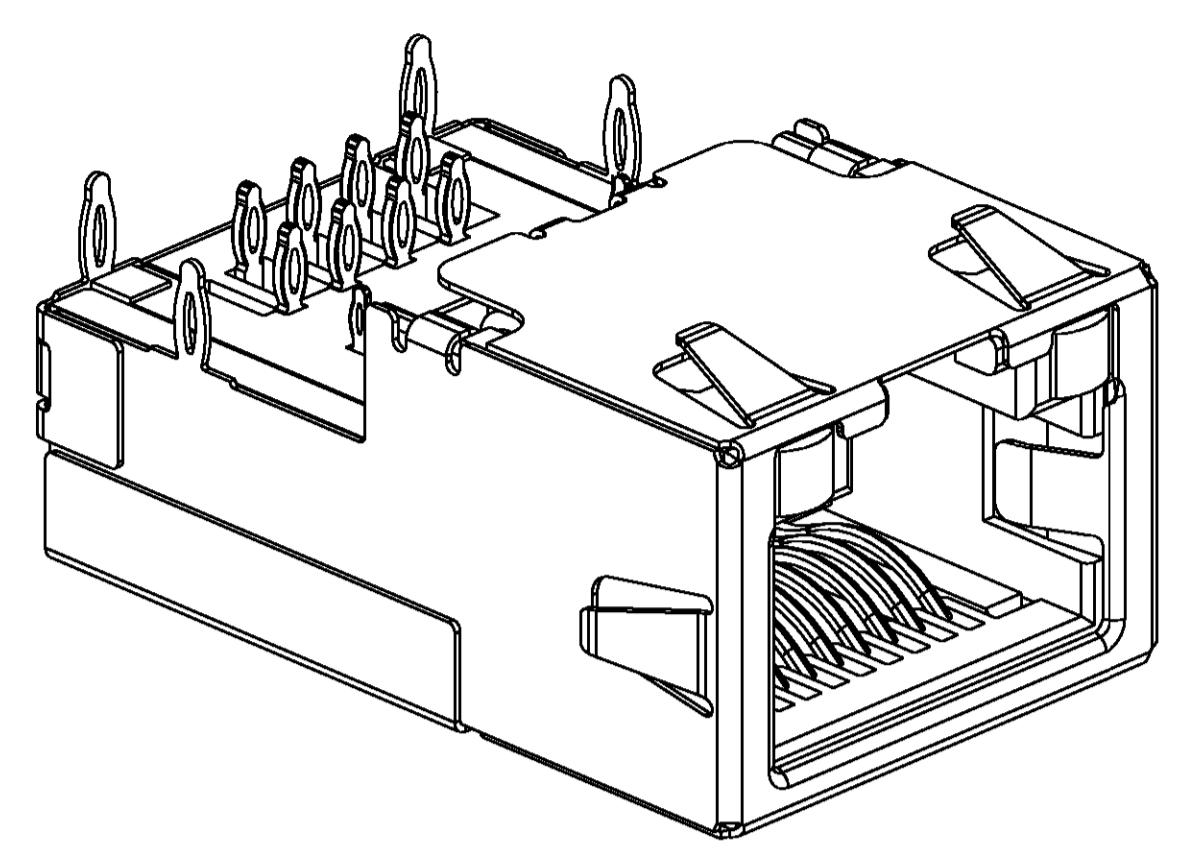
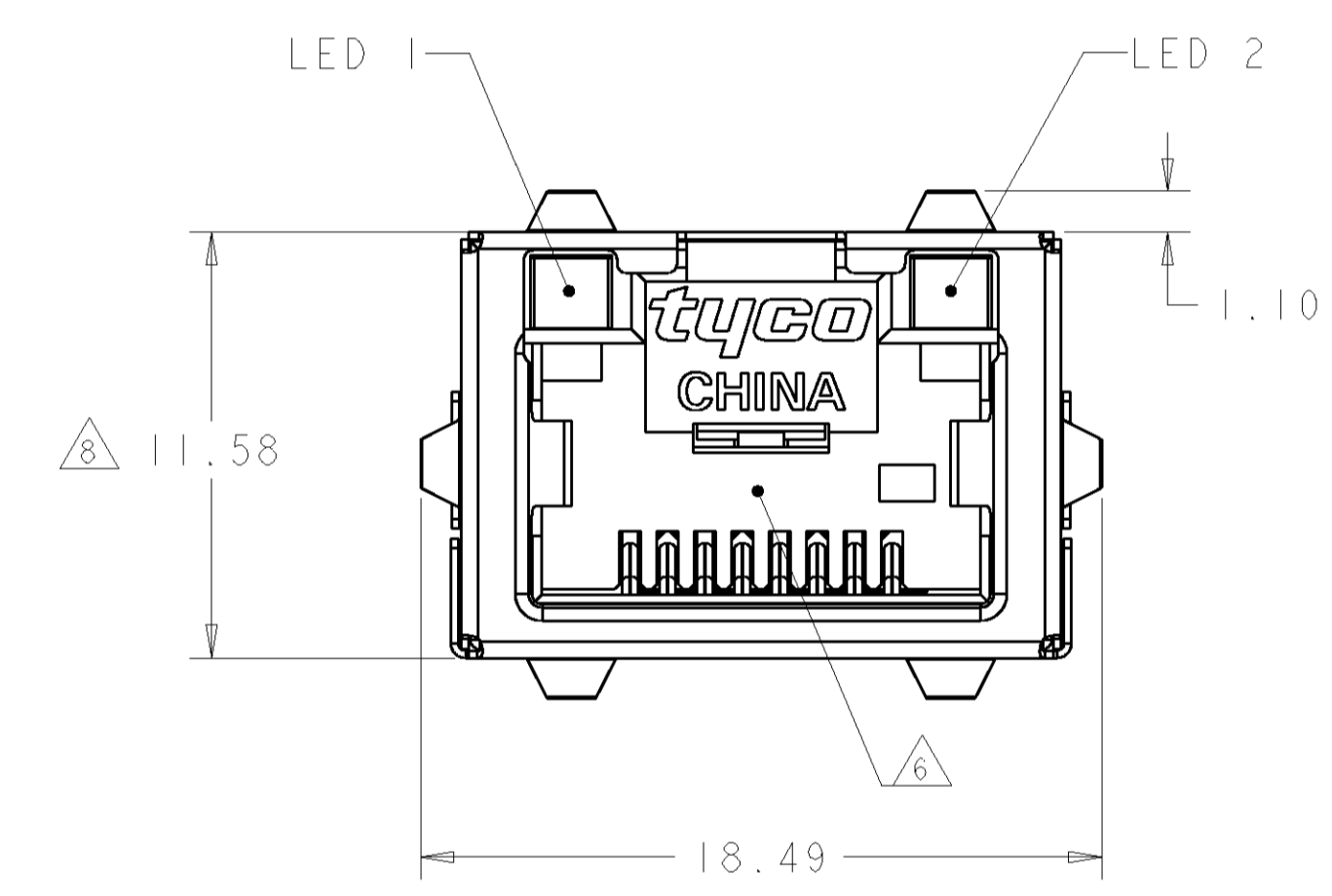


LOC	DIST	REVISIONS					
GP	00	P	LTR	DESCRIPTION	DATE	DWN	APVD
		1		PROPOSED	22NOV2005	MS	KM
		2		ADDED SHEET 3 OF 4, FACE PLATE LAYOUTS	04JAN06	MS	KM
		3		ADDED AMC FULL HEIGHT FACE PLATE	12JAN06	MS	KM
		4		REV TABLE, ADD 1888250-4, REV DETAIL G	07APR06	MS	KM



VIEW SHOWN ASSEMBLED TO PCB ONLY



THIS PRODUCT HAS NOT COMPLETED VALIDATION/QUALIFICATION TESTING

- △ MATERIALS:  
 HOUSING: BLACK THERMOPLASTIC, 94V-0.  
 SHIELD: COPPER ALLOY WITH TIN PLATE.  
 CONTACTS: PHOSPHOR BRONZE WITH 1.27µm MIN GOLD AT MATING INTERFACE OVER 2.54µm MIN NICKEL UNDERPLATE.
- 2. PERFORMANCE:  
 INSERTION LOSS: 0.4dB @ 100 MHz.  
 RETURN LOSS: 12.0dB @ 100 MHz.  
 CROSSTALK ATTENUATION:  
 CMRR: 40.1dB @100 MHz.
- 3. LED'S COMPLIANT WITH IEC60825-1 SAFETY OF LASER PRODUCTS WHEN OPERATED AT CURRENT OF 20mA.
- 4. ALL DIMENSIONS NOMINAL.
- 5. RECOMMENDED MOTHERBOARD PCB THICKNESS: 1.60±0.16.
- △ RJ45 PORT CONFORMS TO FCC RULES AND REGULATIONS PART 68 SUB-PART F.
- △ TYCO LOGO, PART NUMBER, DATE CODE AND COUNTRY OF ORIGIN TO BE MARKED IN APPROXIMATE LOCATION SHOWN.
- △ THIS DIMENSION MEETS THE ADVANCED MEZZANINE CARD (AMC) SPECIFICATION.

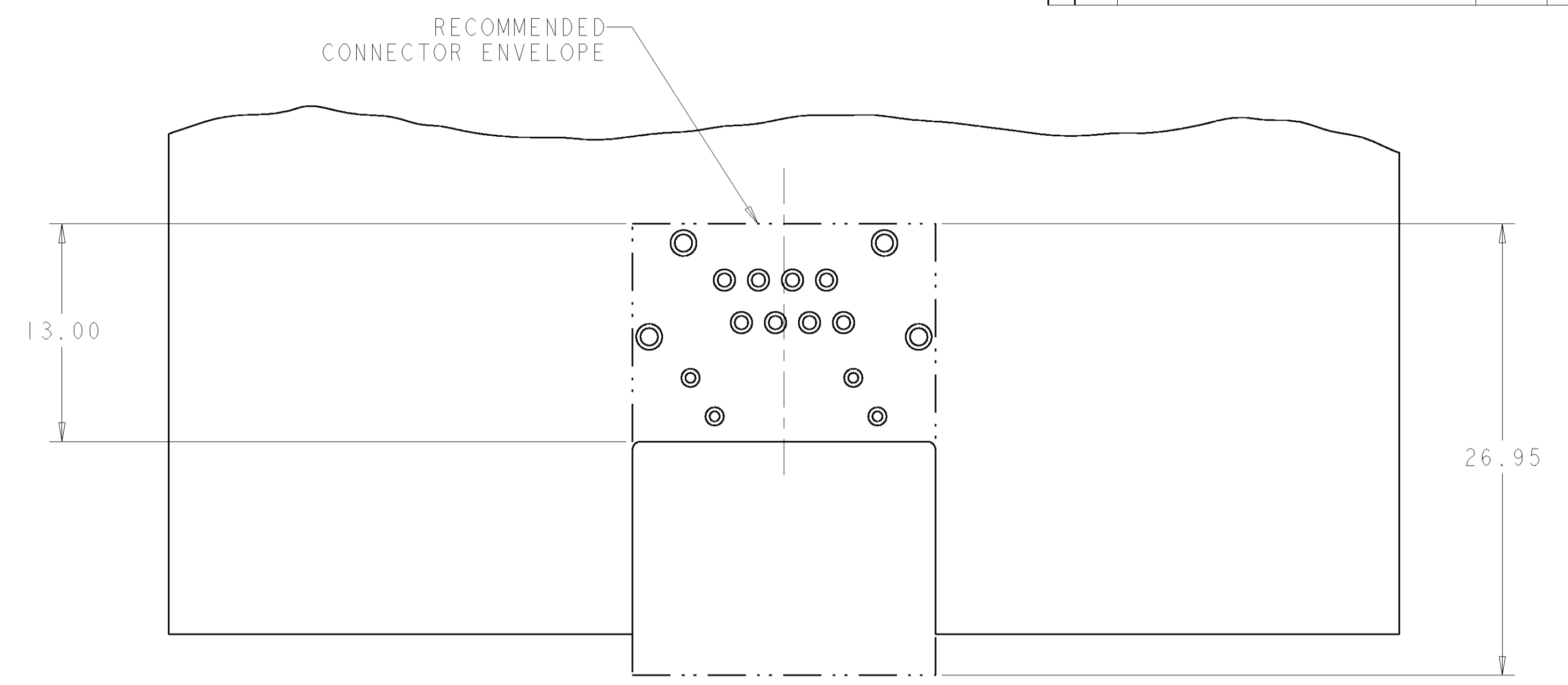
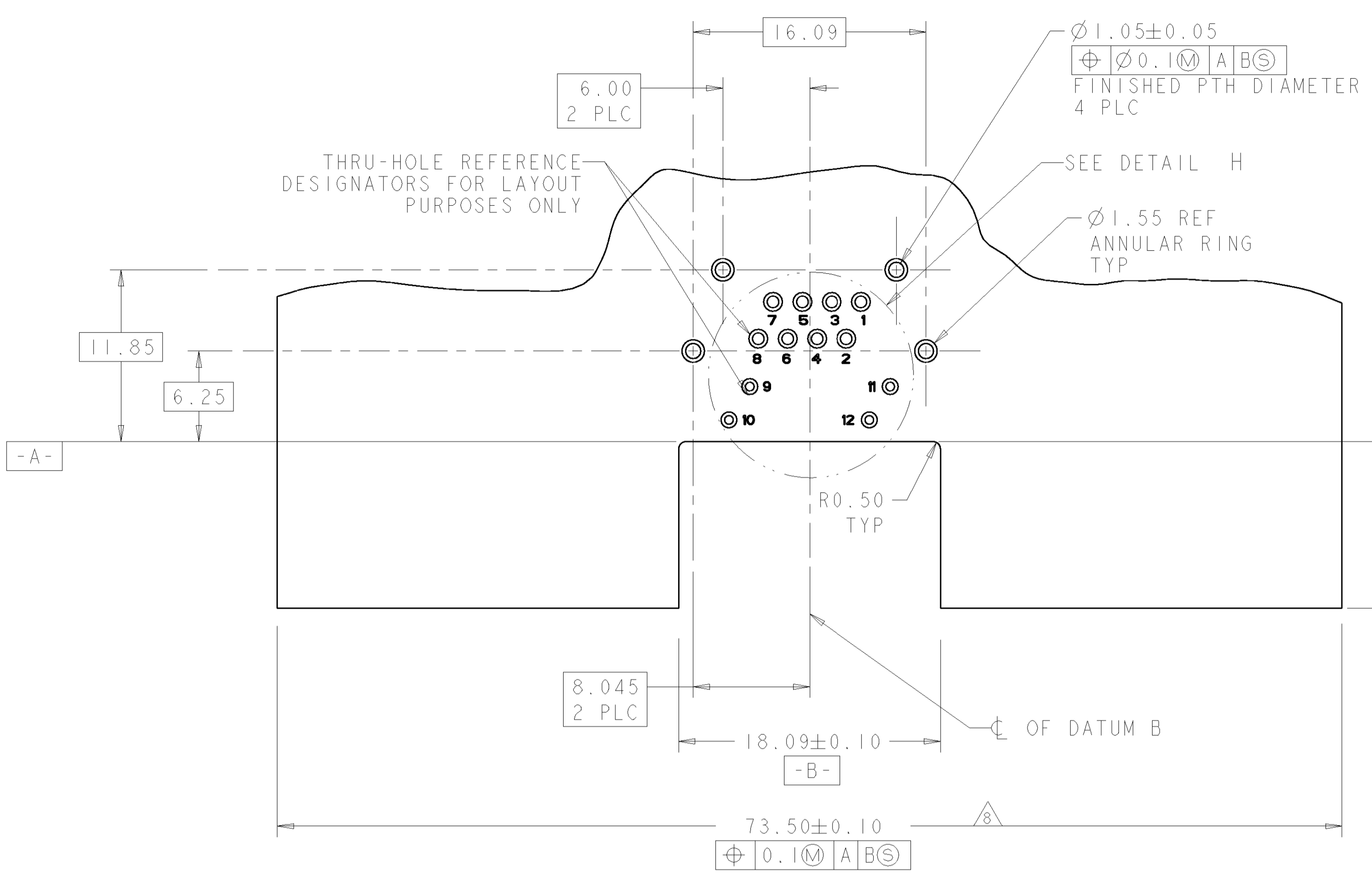


PROPOSED DESIGN  
**PRELIMINARY**  
 DESIGN IS SUBJECT TO CHANGE WITHOUT NOTICE

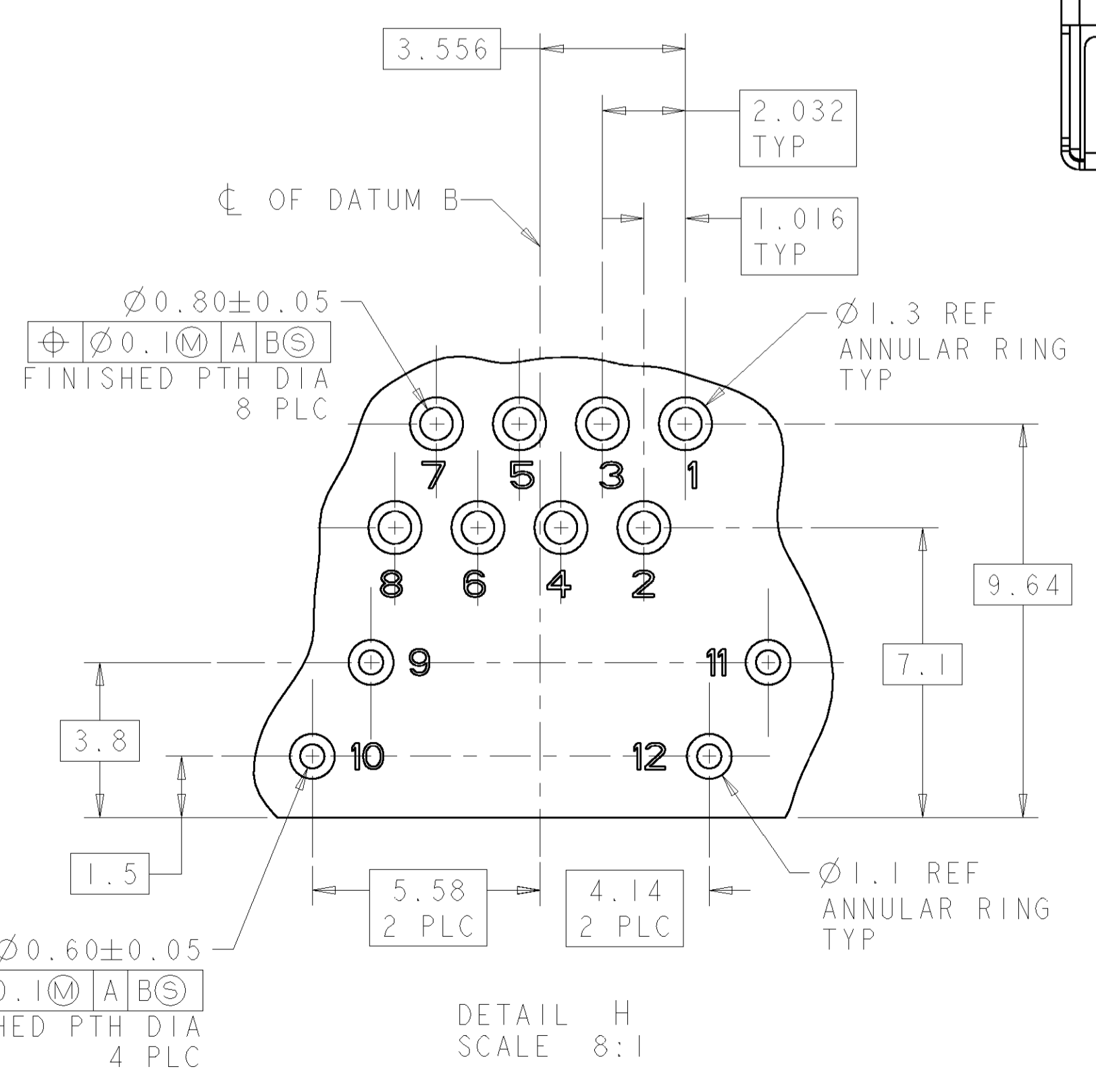
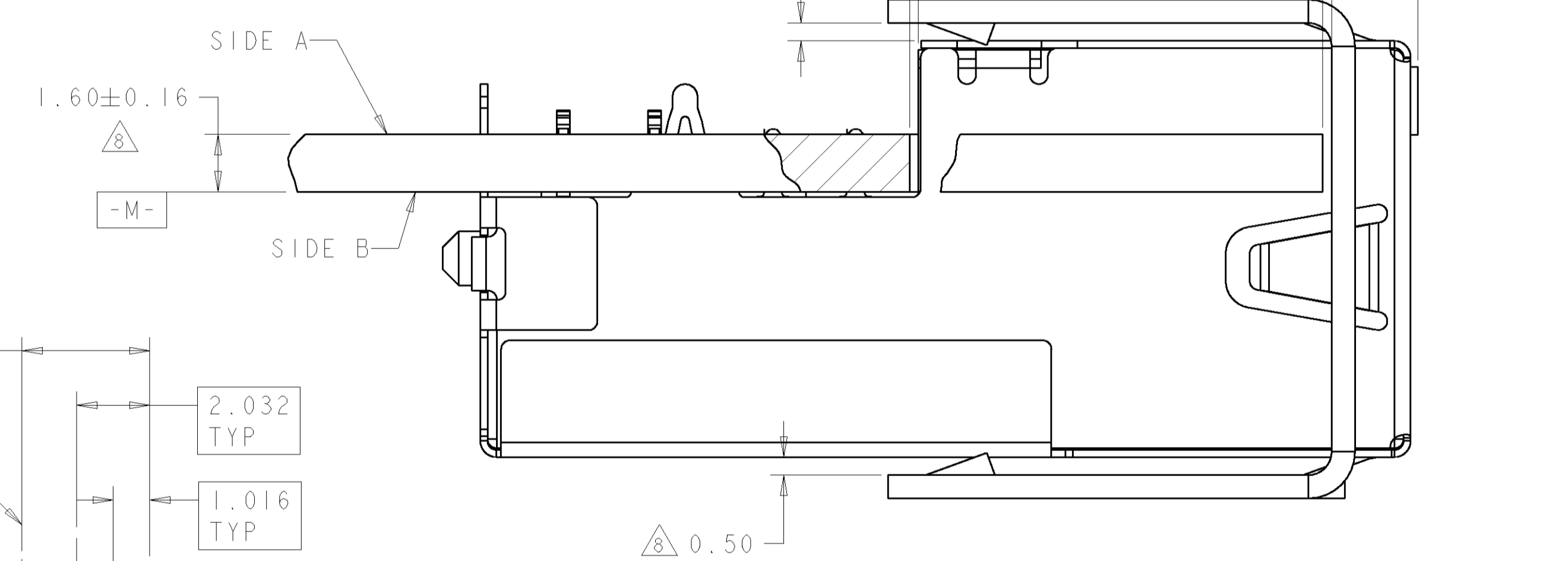
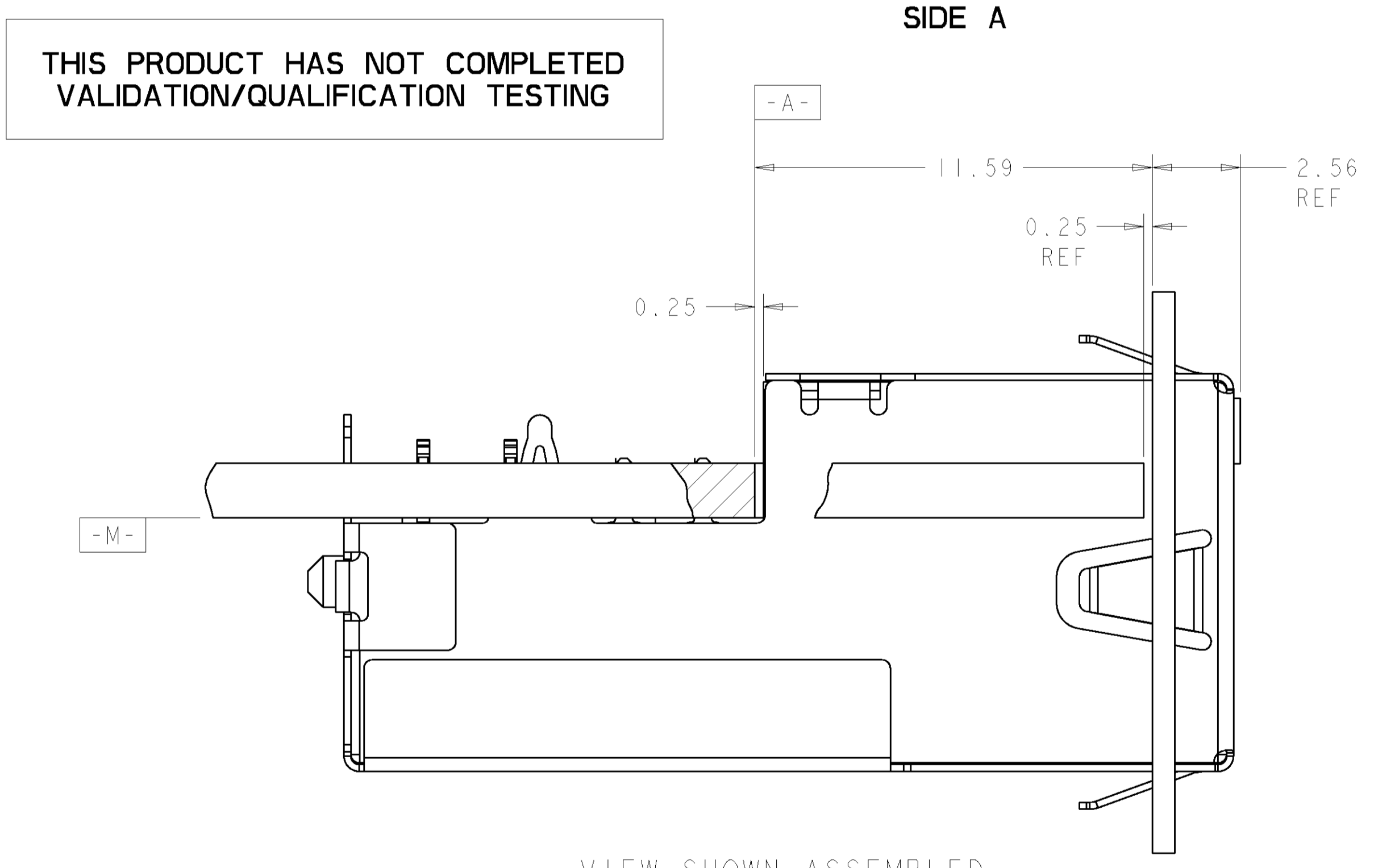
LED #1	LED #2	PART NUMBER
GREEN	GREEN	1888250-4
-	-	1888250-3
GRN/YEL	GRN/YEL	1888250-2
GREEN	YELLOW	1888250-1

DIMENSIONS: mm: 0 PLC ±, 1 PLC ±, 2 PLC ±, 3 PLC ±, 4 PLC ±, ANGLES ±°		TOLERANCES UNLESS OTHERWISE SPECIFIED: FINISH: -		DWN: M. E. SHIRK, 22NOV05 CHK: KEITH MURR, 22NOV05 APVD: -		Tyco Electronics Harrisburg, PA 17105-3608	
MATERIAL: -		WEIGHT: -		PRODUCT SPEC: - APPLICATION SPEC: -		NAME: CONNECTOR ASSEMBLY, LOW PROFILE, PRESS FIT, MODULAR JACK, 1X1, RJ45	
CUSTOMER DRAWING		SCALE: 5:1		SIZE: A   00779   C=1888250		RESTRICTED TO: - SHEET 1 OF 4 REV 4	

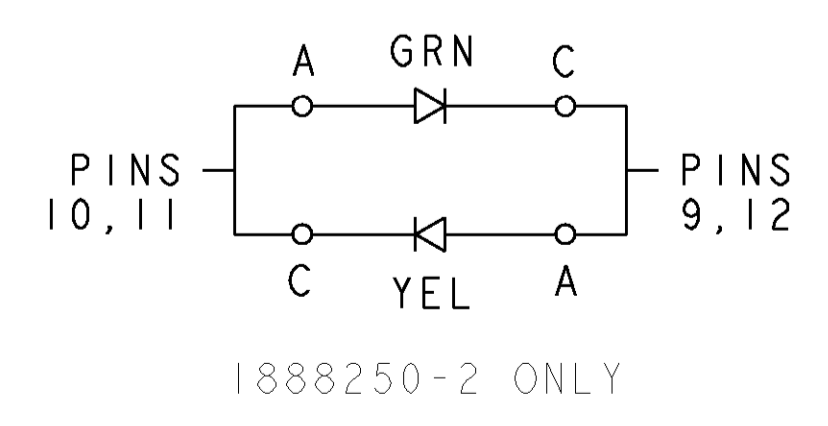
REVISONS		DATE	BY	APPD
GP	00			
P	LTR	DESCRIPTION		
4		SEE SHEET 1		



STANDARD FACE PLATE	11.34
AMC MODULE FACE PLATE	11.50
PCB CUTOUT	D



VIEW SHOWN ASSEMBLED TO PCB AND RECOMMENDED AMC MODULE FACE PLATE SCALE 8:1

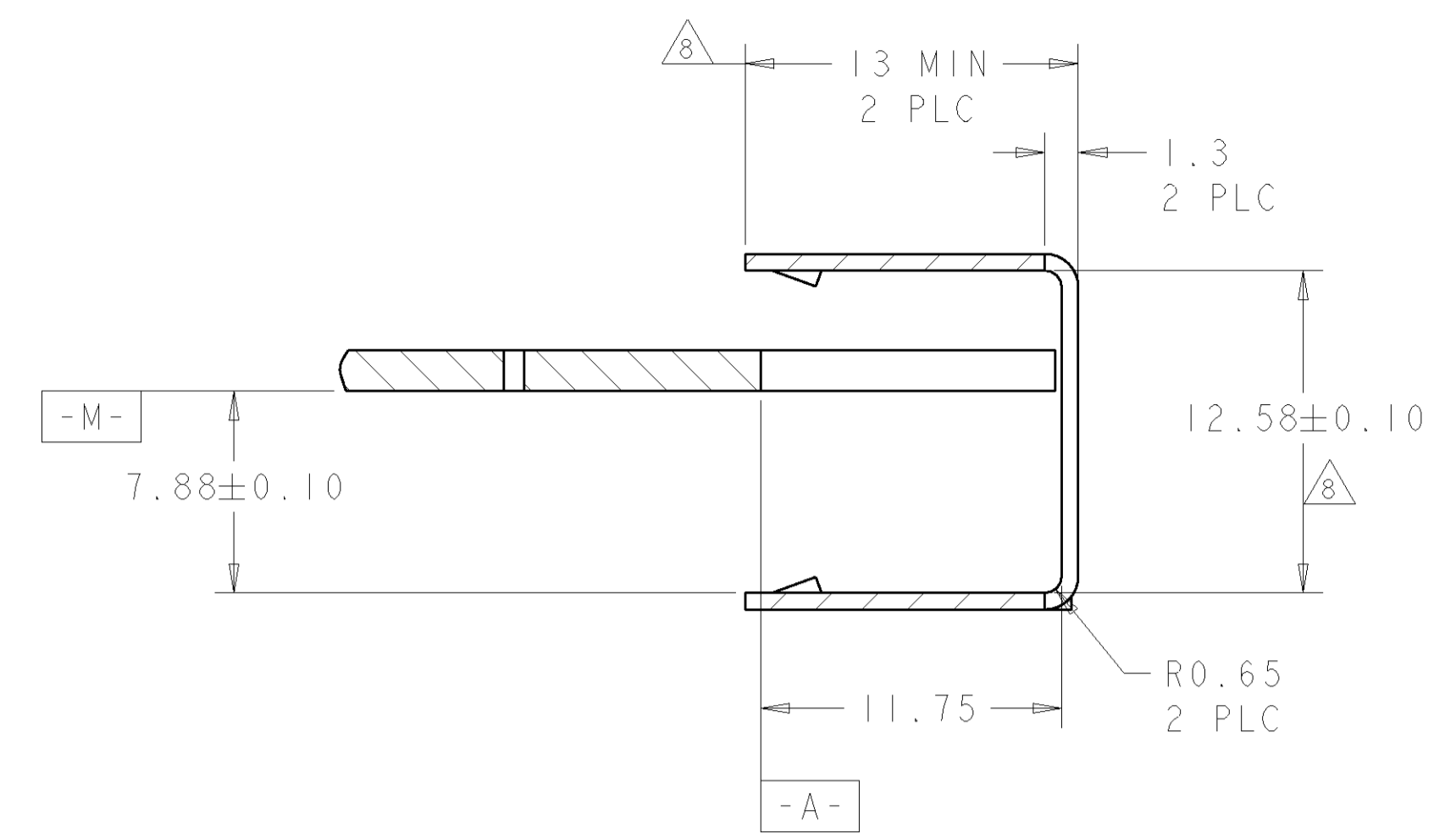


PROPOSED DESIGN  
**PRELIMINARY**  
 DESIGN IS SUBJECT TO CHANGE WITHOUT NOTICE

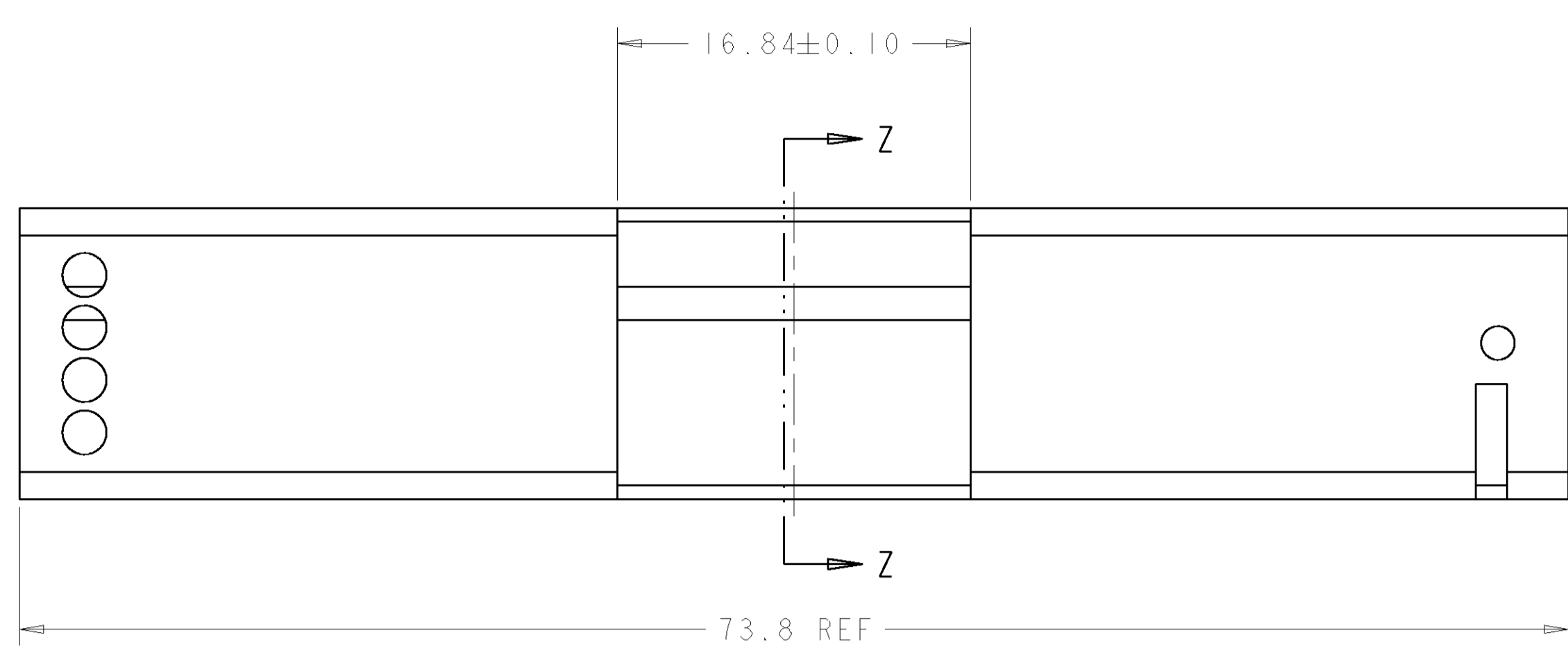
	PIN #	1888250-1	1888250-2	1888250-3	1888250-4
LED 1	9	CATHODE (-)	ANODE (YEL), CATHODE (GRN)	-	CATHODE (-)
	10	ANODE (+)	ANODE (GRN), CATHODE (YEL)	-	ANODE (+)
LED 2	11	ANODE (+)	ANODE (GRN), CATHODE (YEL)	-	ANODE (+)
	12	CATHODE (-)	ANODE (YEL), CATHODE (GRN)	-	CATHODE (-)

DIMENSIONS:		TOLERANCES UNLESS OTHERWISE SPECIFIED:		DRAWN: M. E. SHIRK 22NOV05		tyco Tyco Electronics	
mm	0 PLC ±	1 PLC ±	2 PLC ±0.13	3 PLC ±	4 PLC ±	5 PLC ±	Harrisburg, PA 17105-3608
	FINISH			PRODUCT SPEC	NAME	SIZE	RESTRICTED TO
				APPLICATION SPEC	CONNECTOR ASSEMBLY, LOW PROFILE, PRESS FIT, MODULAR JACK, 1X1, RJ45	A100779C=1888250	
MATERIAL		WEIGHT		CUSTOMER DRAWING	SCALE	SHEET	REV
					5:1	2 OF 4	4

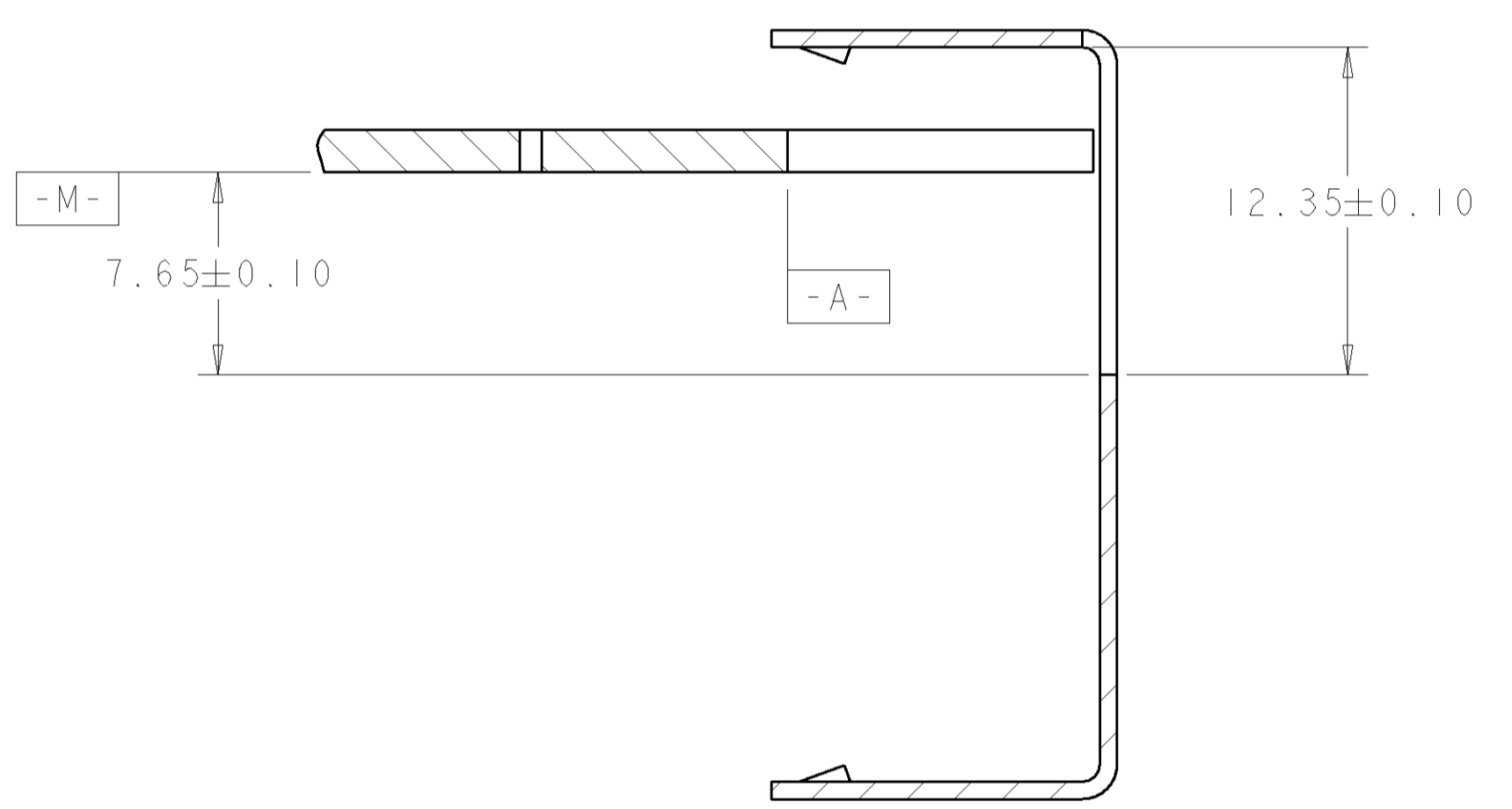
LOC		DIST		REVISIONS			
P	LTR	DATE	BY	APPD	DESCRIPTION	DATE	BY
4					SEE SHEET 1		



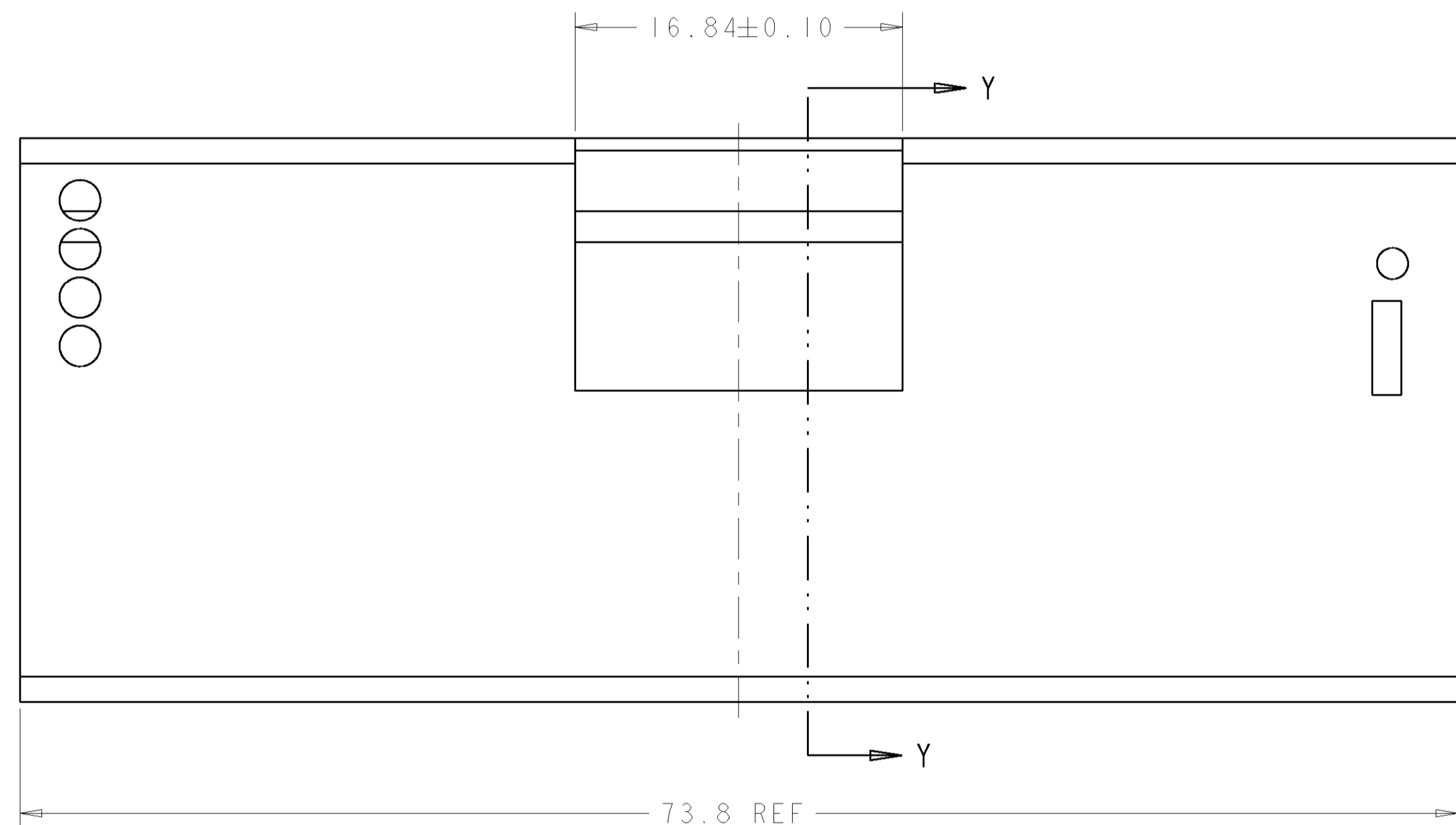
SECTION Z-Z



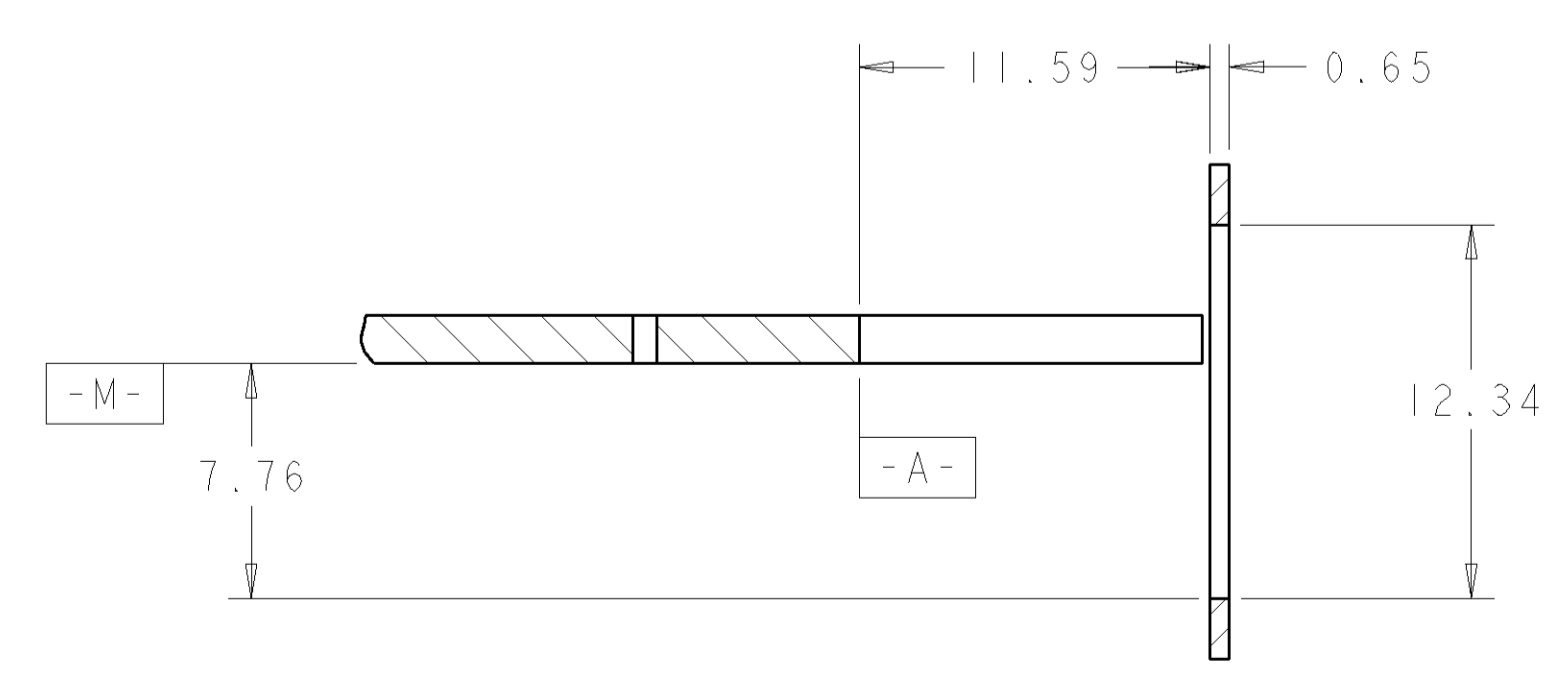
AMC SINGLE WIDTH, HALF HEIGHT MODULE FACE PLATE  
SCALE 4:1



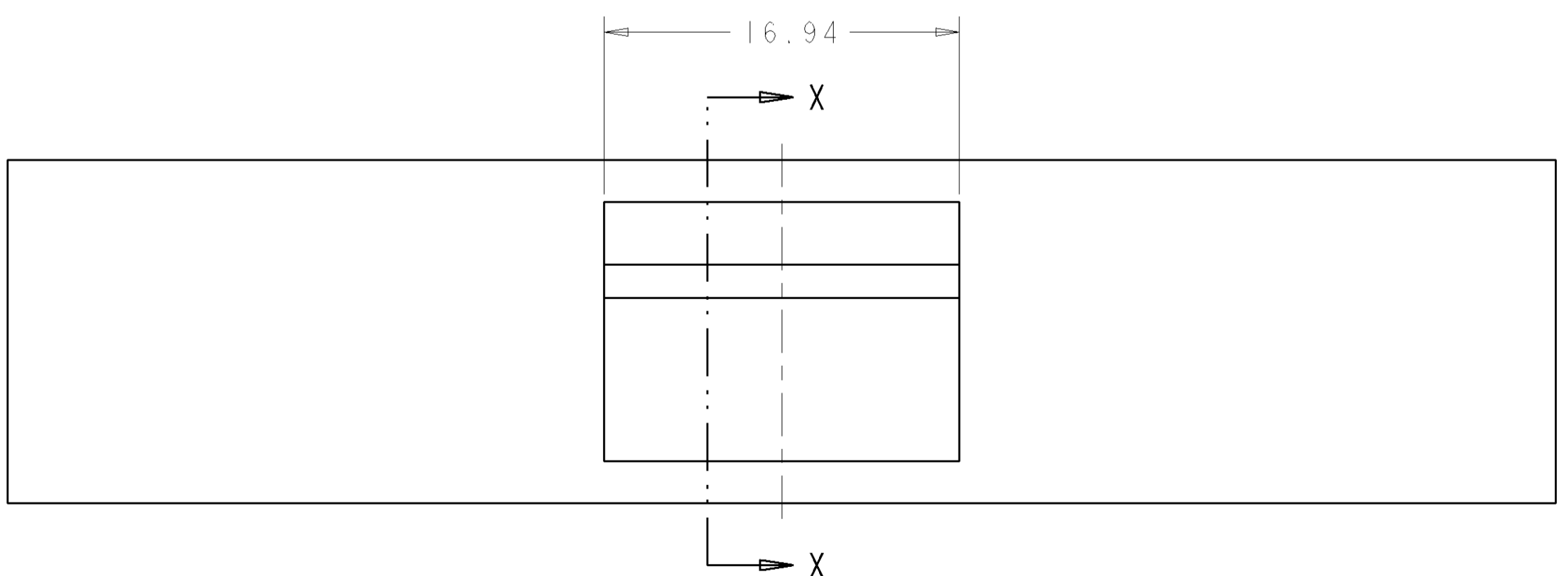
SECTION Y-Y



AMC SINGLE WIDTH, FULL HEIGHT MODULE FACE PLATE  
SCALE 4:1



SECTION X-X



STANDARD FACE PLATE  
SCALE 4:1

**THIS PRODUCT HAS NOT COMPLETED  
VALIDATION/QUALIFICATION TESTING**

PROPOSED DESIGN  
**PRELIMINARY**  
 DESIGN IS SUBJECT TO  
 CHANGE WITHOUT NOTICE

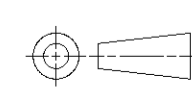
DIMENSIONS: mm 		TOLERANCES UNLESS OTHERWISE SPECIFIED: 0 PLC ± 1 PLC ± 2 PLC ±0.13 3 PLC ± 4 PLC ± ANGLES ±° FINISH		DWN M. E. SHIRK 04JAN06 ENR KEITH MURR 04JAN06 APVD PRODUCT SPEC APPLICATION SPEC WEIGHT CUSTOMER DRAWING		Tyco Electronics Harrisburg, PA 17105-3608 NAME CONNECTOR ASSEMBLY, LOW PROFILE, PRESS FIT, MODULAR JACK, 1X1, RJ45 SIZE CAGE CODE DRAWING NO A100779C-1888250 SCALE 5:1 SHEET 3 OF 4 REV 4	
-----------------------	--	---	--	---	--	--	--

LOC	DIST	REVISIONS					
GP	00	P	LTR	DESCRIPTION	DATE	DWN	APVD
		4		SEE SHEET 1	-	-	-

1888250-C				STOCK DISPOSITION				
REVISION HISTORY				A: CONTINUE AS IS B: REWORK C: SCRAP				
				D: USE OLD FIRST E: PARTS TO CONFORM F: OTHER				
DATE	REV	CHANGES	REASON	APPROVAL	INVENTORY (A,B,C,D,E,F)	WORK IN PROCESS (A,B,C,F)	SUPPLIER ORDERS (A,E,F)	OPEN CUST ORDERS (A,E,F)
22NOV05	1	PROPOSED.	-	KEITH MURR	-	-	-	-
04JAN06	2	SHEET 2: RMV 12.58, ADD 1.45 REF. 12.70, ZONE C1. WAS 12.75 NOW DIM D. ADD TABLE, ZONE C5. WAS BASIC 4 NOW BASIC 6, ZONE D7. ADDED SHEET 3 OF 4, JMC AND STANDARD FACE PLATE LAYOUTS.	DRAWING CLEANUP. REQUIRED INFORMATION.	KEITH MURR	-	-	-	-
12JAN06	3	SHEET 1: ADDED DETAIL G, ZONE D1. SHEET 2: REMOVE DETAIL G, ZONE A4. ADDED VIEW WITH STANDARD FACE PLATE, ZONE B7. SHEET 3: ADDED JMC SINGLE WIDTH, FULL HEIGHT FACE PLATE, ZONE C4.	DRAWING CLEANUP. REQUIRED INFORMATION.	KEITH MURR	-	-	-	-
07APR06	4	SHEET 1: REVISE LED COLORS FOR 1888250-1. ADDED 1888250-4, ZONE A1. REVISED CALLOUTS. WAS LED 1 NOW LED 2. WAS LED 2 NOW LED 1, ZONE C5. SHEET 2: WAS Ø1.05 NOW Ø1.05±0.05, ZONE D6. REV DETAIL G NOW DETAIL H. REMOVED PLUS, MINUS SYMBOLS ADDED 9,10,11,12, ZONE A4. ADDED SCHEMATIC, ZONE A2 AND LED TABLE, ZONE A8.	REQUESTED BY CUSTOMER. CLARIFY LED CALLOUTS.	KEITH MURR	-	-	-	-

**THIS PRODUCT HAS NOT COMPLETED  
 VALIDATION/QUALIFICATION TESTING**

PROPOSED DESIGN  
**PRELIMINARY**  
 DESIGN IS SUBJECT TO  
 CHANGE WITHOUT NOTICE

<small>THIS DRAWING IS UNPUBLISHED. RELEASED FOR PUBLICATION BY TYCO ELECTRONICS CORPORATION. ALL RIGHTS RESERVED.</small>		DWN M. E. SHIRK 22NOV05 CHK KEITH MURR 22NOV05 APVD -	<b>tyco</b> Electronics Tyco Electronics Harrisburg, PA 17105-3608
DIMENSIONS: mm 		TOLERANCES UNLESS OTHERWISE SPECIFIED: 0 PLC ± 1 PLC ±0.13 2 PLC ± 3 PLC ± 4 PLC ± ANGLES ±° FINISH -	NAME CONNECTOR ASSEMBLY, LOW PROFILE, PRESS FIT, MODULAR JACK, 1X1, RJ45 PRODUCT SPEC - APPLICATION SPEC - SIZE CAGE CODE DRAWING NO A100779C=1888250 RESTRICTED TO - WEIGHT - CUSTOMER DRAWING SCALE 4:1 SHEET 4 OF 4 REV 4