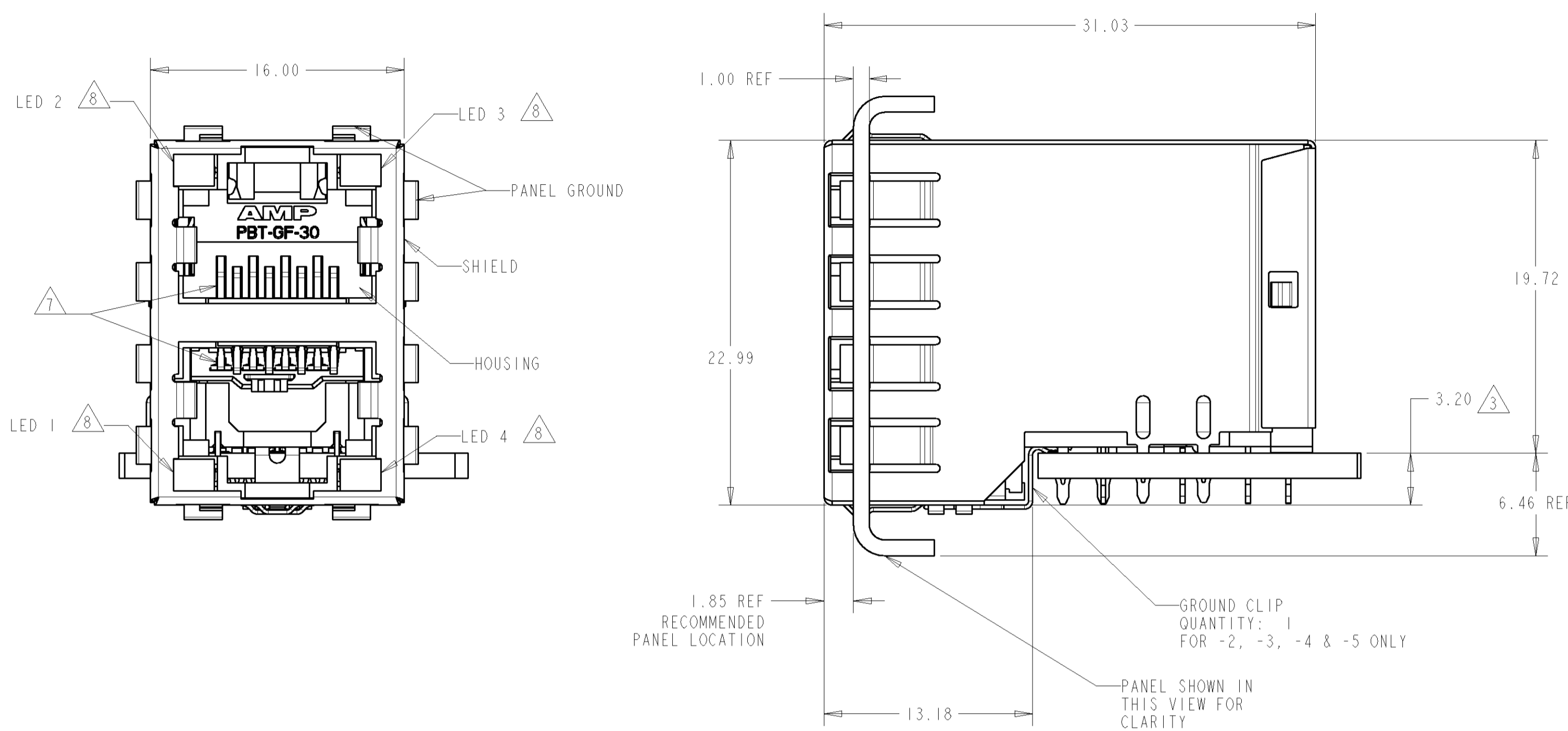
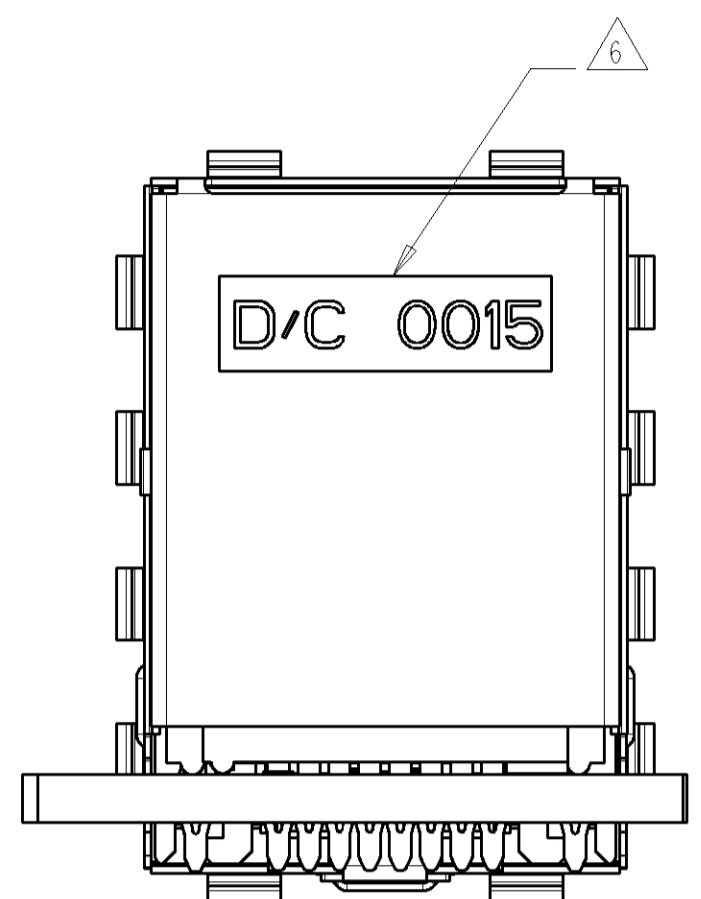


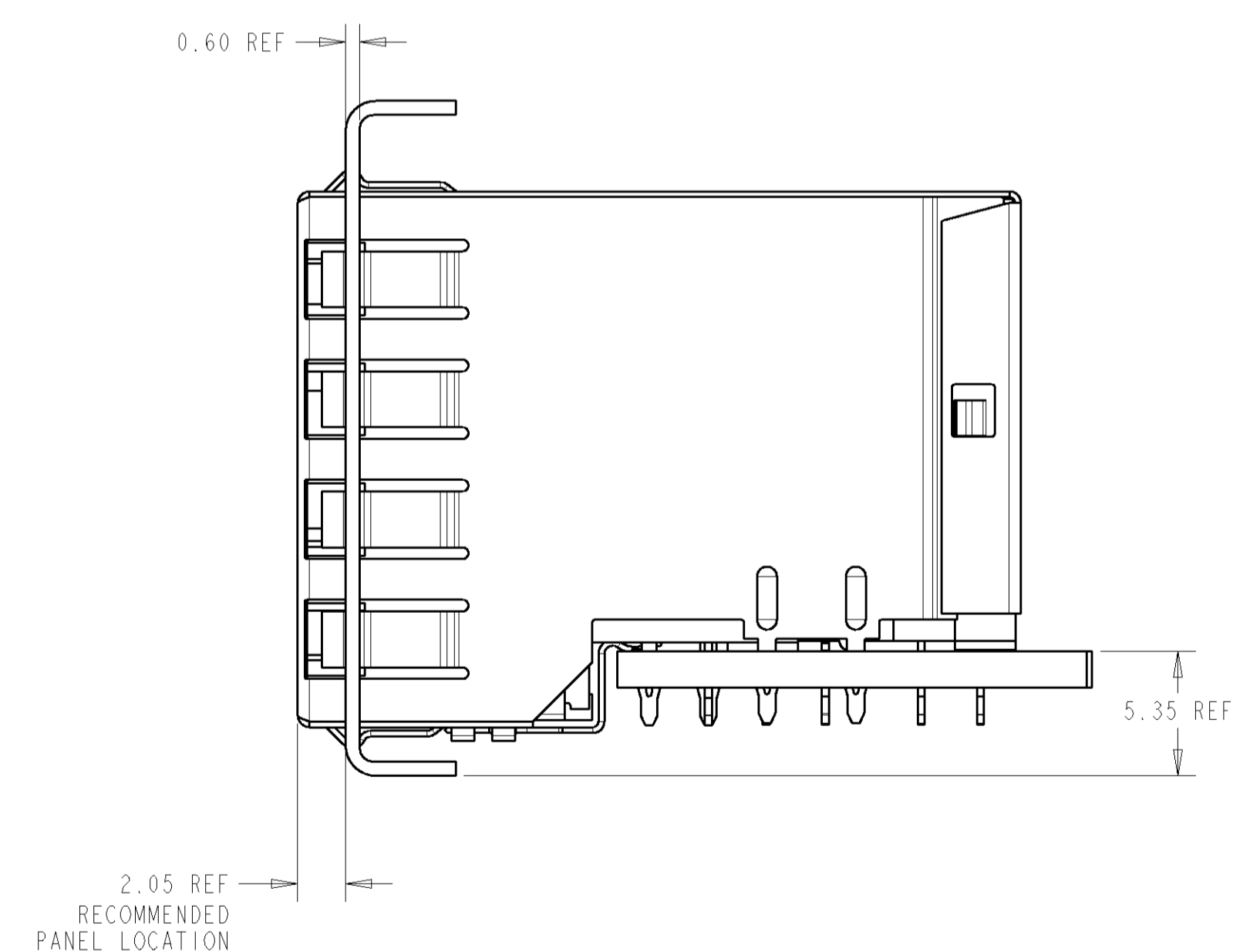
LOC	DIST	REVISIONS			
P	LTR	DESCRIPTION	DATE	BY	APPD
A		RELEASED	19OCT2006	LAM	JW
B		REV PER ECO-07-0011858	19MAR2007	RG	JW
C		ECO-07-012386	30MAR2007	LAM	JW



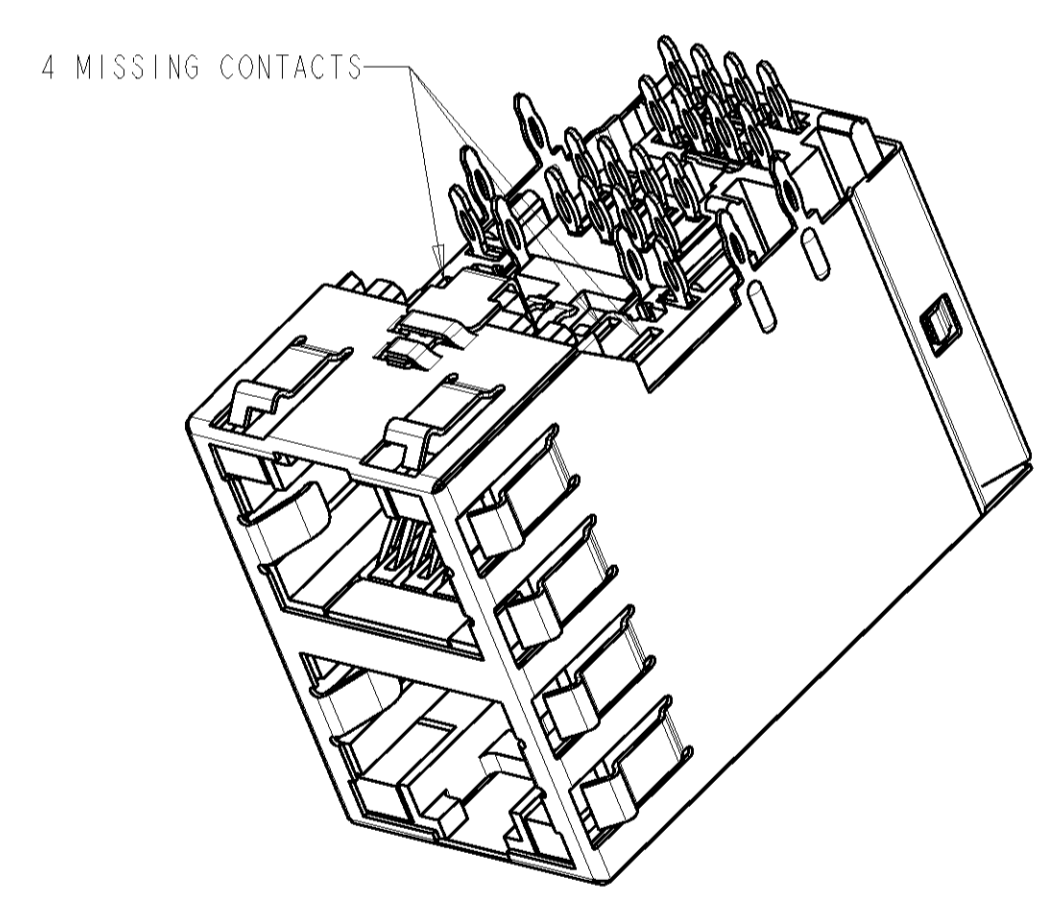
ATCA PANEL AND PRINTED CIRCUIT BOARD ASSEMBLY LAYOUT



- MATERIAL:
 HOUSING: PBT POLYESTER, BLACK, UL 94V-0.
 TERMINALS: 0.33 THICK PHOSPHOR BRONZE PLATED WITH 1.27µm MINIMUM THICK HARD GOLD IN LOCALIZED AREA AND 2.0µm MINIMUM THICK MATTE TIN IN ACTION PIN COMPLIANT PIN TERMINAL AREA OVER 1.27µm MINIMUM THICK NICKEL UNDERPLATE.
 SHIELD: 0.25 THICK COPPER ALLOY PLATED WITH 2.03µm MINIMUM TIN OVER 1.27µm MINIMUM NICKEL.
 GROUNDING CLIP: 0.25 THICK COPPER ALLOY PRE-PLATED WITH 2.03µm MINIMUM MATTE TIN OVER 1.27µm MINIMUM NICKEL.
 LIGHT EMITTING DIODE (LED): DIFFUSED EPOXY LENS, 12.95 CARBON STEEL WIREFRAME LEADS PREPLATED WITH 8.89µm THK. TIN/COPPER OVER 2.03µm THK. SILVER OVER 1.02µm COPPER OVER 3.56µm THK. NICKEL OVER 1.02µm THK. COPPER UNDERPLATE.
 LED ACTION PIN - COMPLIANT PIN CONTACTS: 0.3 THICK BRASS PLATED WITH 2-4µm BRIGHT TIN.
 - JACK CAVITY CONFORMS TO FCC RULES AND REGULATIONS, PART 68 SUBPART F.
- 3 MAXIMUM PIN LENGTH 3.40 FROM TOP SURFACE OF PC BOARD.
 - 4 FINISHED PLATED THRU HOLE DIAMETER - ANNULAR RING DIAMETER 1.3 TO 1.5
 - 5 DATUMS AND BASIC DIMENSIONS ESTABLISHED BY CUSTOMER
 - 6 DATE CODE LOCATED ON REAR OF PART APPROXIMATELY AS SHOWN
 - 7 CONTACTS ARE NOT INTENDED TO BE ALIGNED WITH EACH OTHER
 - 8 SUGGESTED OPERATING CURRENT FOR LEDS IS 20 mA
 - 9 PCB THROUGH HOLES FOR LED #1 AND LED #4 ARE NOT REQUIRED FOR 1888653-5



AMC PANEL AND PRINTED CIRCUIT BOARD ASSEMBLY LAYOUT



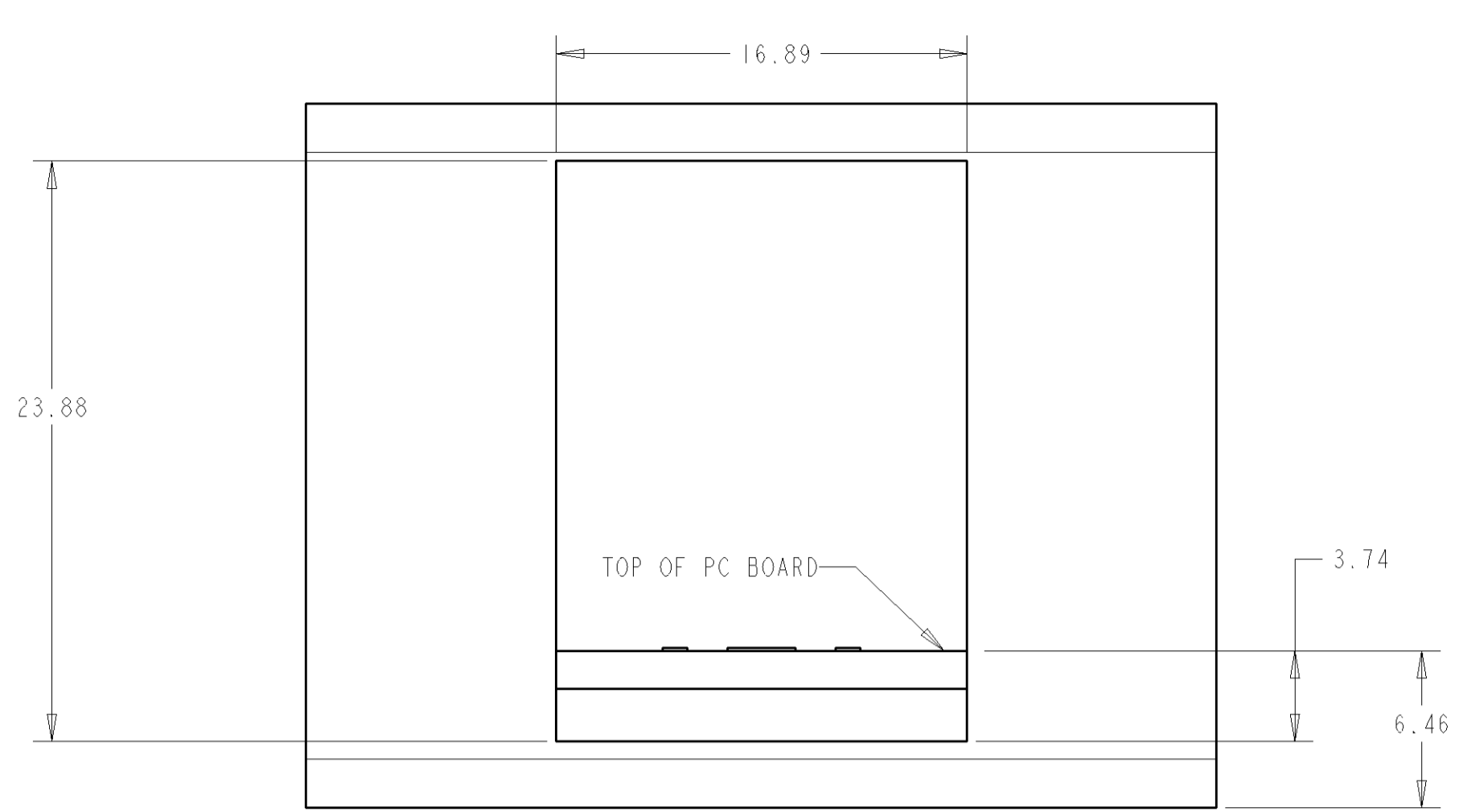
1888653-5
(REPRESENTATION OF -5 SHOWN IN THIS VIEW ONLY)

PROPOSED DESIGN NOT RELEASED FOR PRODUCTION THIS PRODUCT HAS NOT COMPLETED VALIDATION TESTING

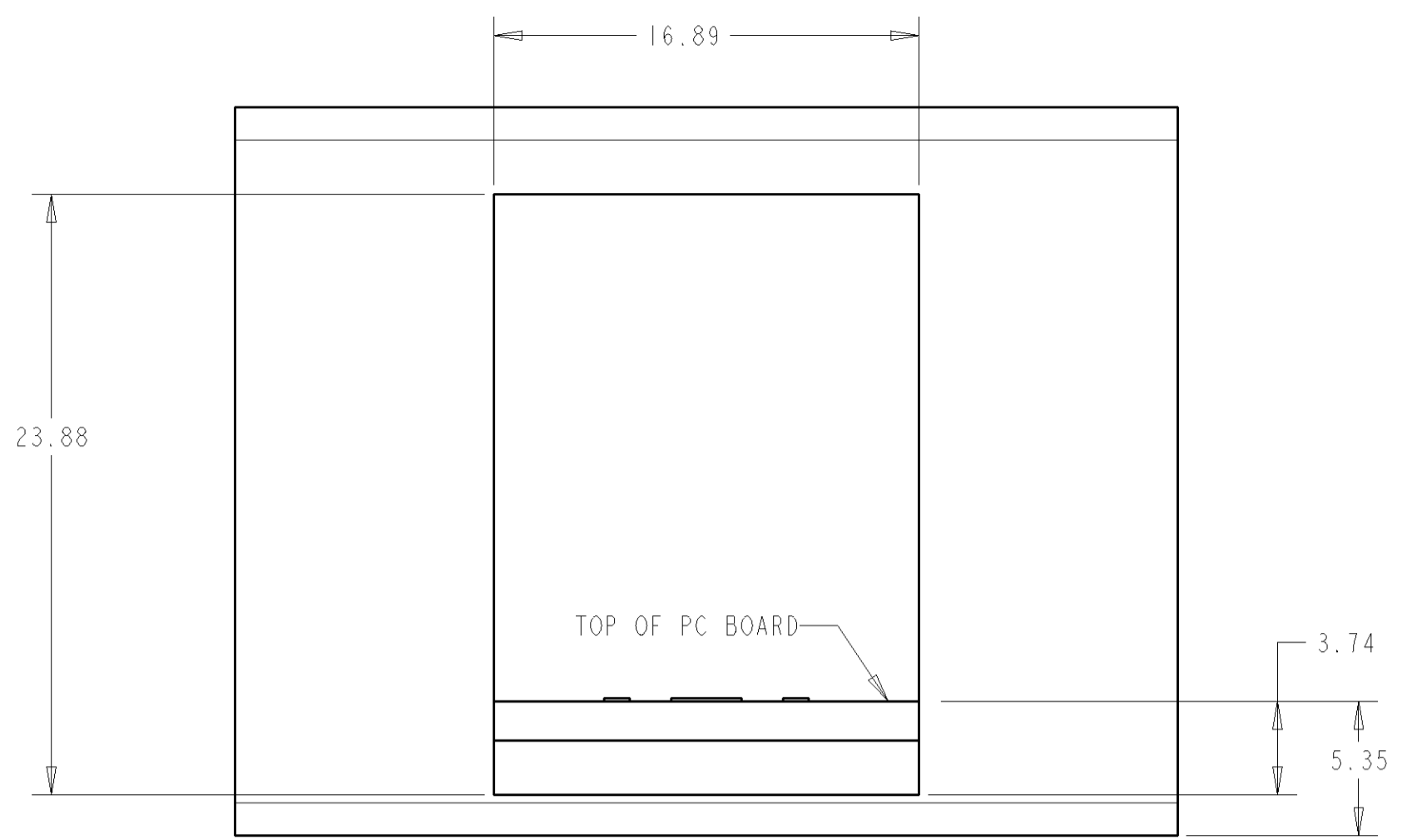
15.88	NONE	YELLOW	GREEN	NONE	WITH GROUND CLIP	1888653-5
15.88	YELLOW	YELLOW	GREEN	GREEN	WITH GROUND CLIP	1888653-4
15.88	GREEN	GREEN	YELLOW	YELLOW	WITH GROUND CLIP	1888653-3 (SHOWN)
15.88	GREEN	GREEN	GREEN	GREEN	WITH GROUND CLIP	1888653-2
16.13	GREEN	GREEN	GREEN	GREEN	WITHOUT GROUND CLIP	1888653-1
M DIM	LED #4 (LOWER-RIGHT)	LED #3 (UPPER-RIGHT)	LED #2 (UPPER-LEFT)	LED #1 (LOWER-LEFT)	DESCRIPTION	PART NUMBER

DIMENSIONS: mm		TOLERANCES UNLESS OTHERWISE SPECIFIED:		DWN L.A. MAYER 19OCT2006		EKO J. WESTMAN 19OCT2006		APPD S. FLICKINGER 19OCT2006		NAME STACKED MOD JACK ASSEMBLY, 2 X 1, 8 POSN, RJ45, SHIELDED, PANEL GROUND, OFFSET, CAT 5	
0 PLC ±		1 PLC ±0.13		PRODUCT SPEC 108-1854		APPLICATION SPEC 114-2160		WEIGHT		RESTRICTED TO	
MATERIAL SEE NOTE 1		FINISH		CUSTOMER DRAWING		SCALE 4:1		SHEET 1 OF 2		REV C	

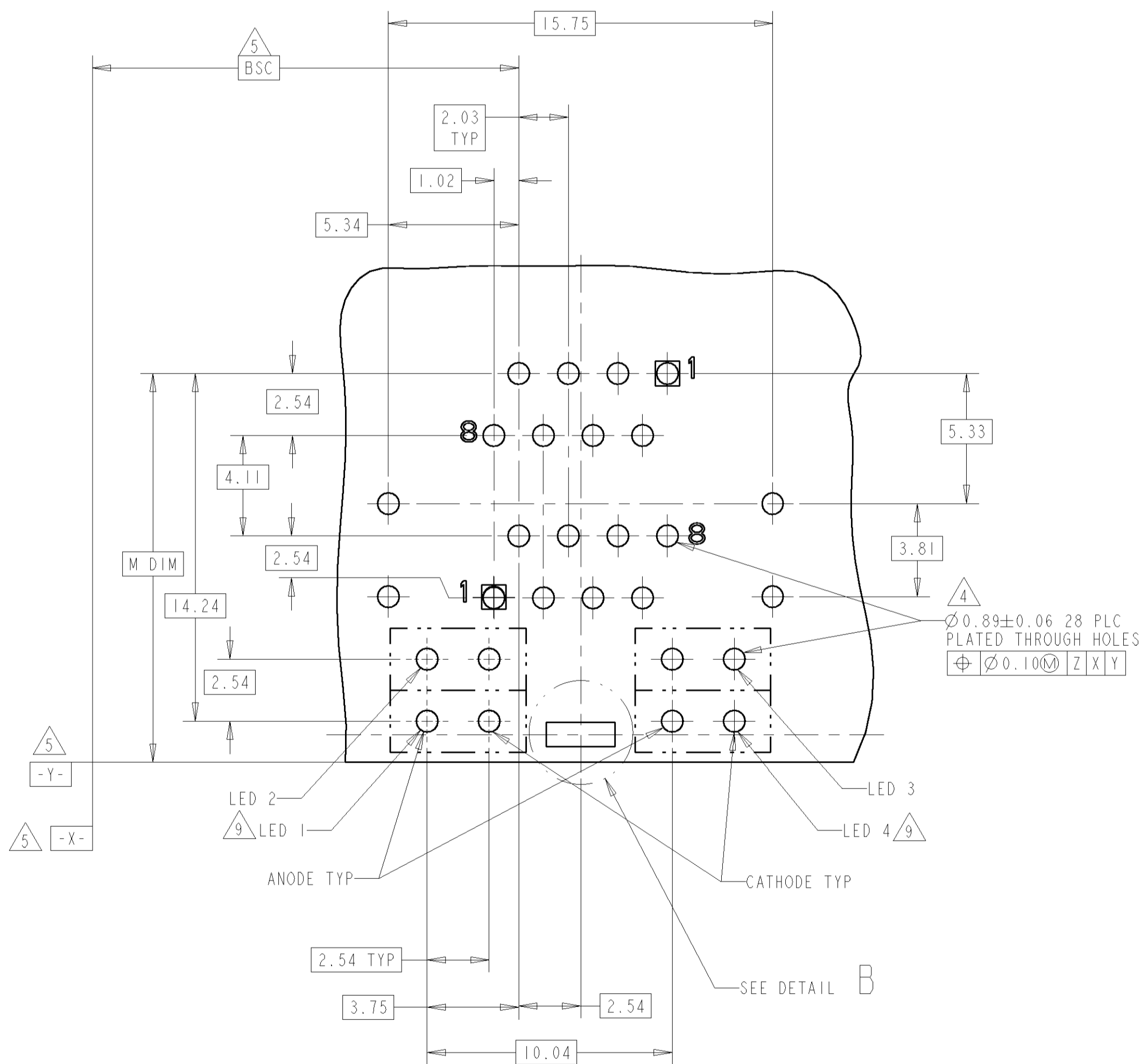
REVISONS		DATE	BY	APPD
AA	00			



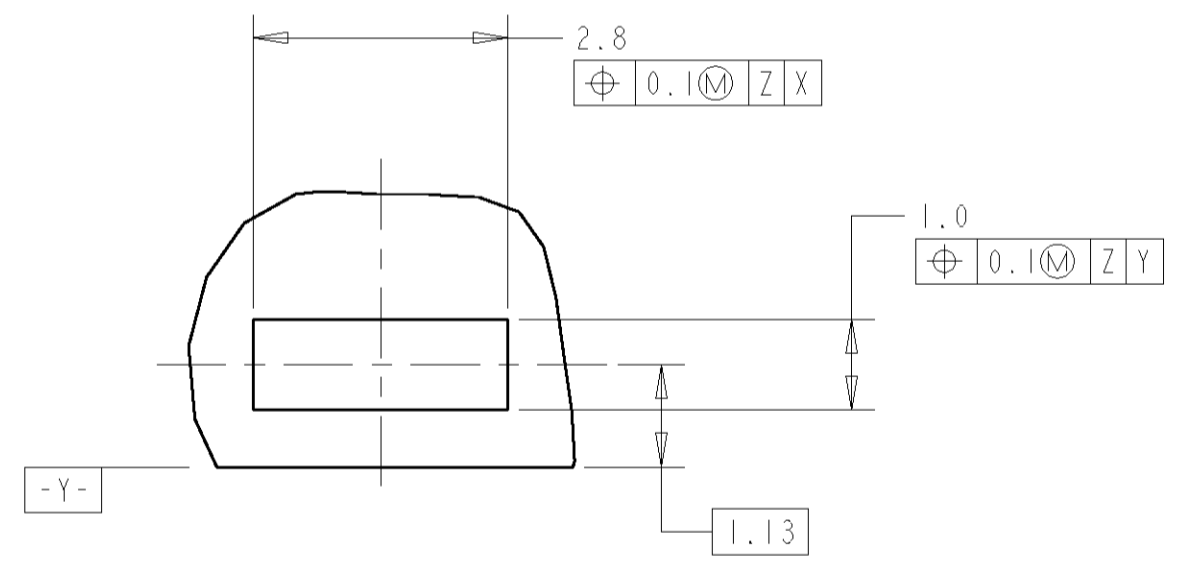
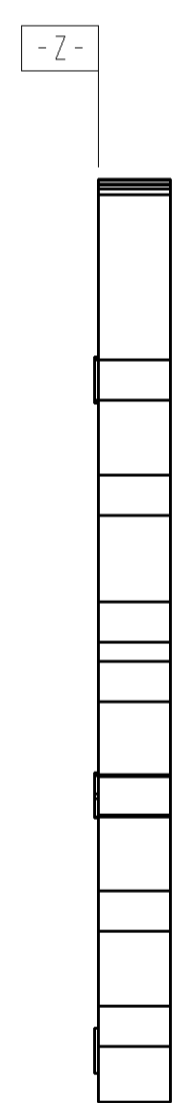
ATCA PANEL AND
PRINTED CIRCUIT BOARD LAYOUT



AMC PANEL AND
PRINTED CIRCUIT BOARD LAYOUT



PC BOARD LAYOUT
(COMPONENT SIDE)



DETAIL B
SCALE 12:1
PLATED PADS REQUIRED FOR
1888653 -2, 3, -4 & -5 (PRODUCT WITH
GROUNDING CLIPS)

PROPOSED DESIGN
NOT RELEASED
FOR PRODUCTION
THIS PRODUCT
HAS NOT
COMPLETED
VALIDATION TESTING

DIMENSIONS:		TOLERANCES UNLESS OTHERWISE SPECIFIED:		DWN	L. A. MAYER	19OCT2006	Tyco Electronics Harrisburg, PA 17105-3608
mm		0 PLC ±		CHK	J. WESTMAN	19OCT2006	
		1 PLC ±0.13		APPD	S. FLICKINGER	19OCT2006	NAME
		2 PLC ±		PRODUCT SPEC			STACKED MOD JACK ASSEMBLY, 2 X 1,
		3 PLC ±		APPLICATION SPEC			8 POSN, RJ45, SHIELDED, PANEL
		4 PLC ±		SIZE			GROUND, OFFSET, CAT 5
		ANGLES ±1°		CAGE CODE			114-2160
MATERIAL		FINISH		WEIGHT			RESTRICTED TO
SEE NOTE 1				CUSTOMER DRAWING			A 00779 C=1888653
				SCALE			3:1
				SHEET			2 OF 2
				REV			C