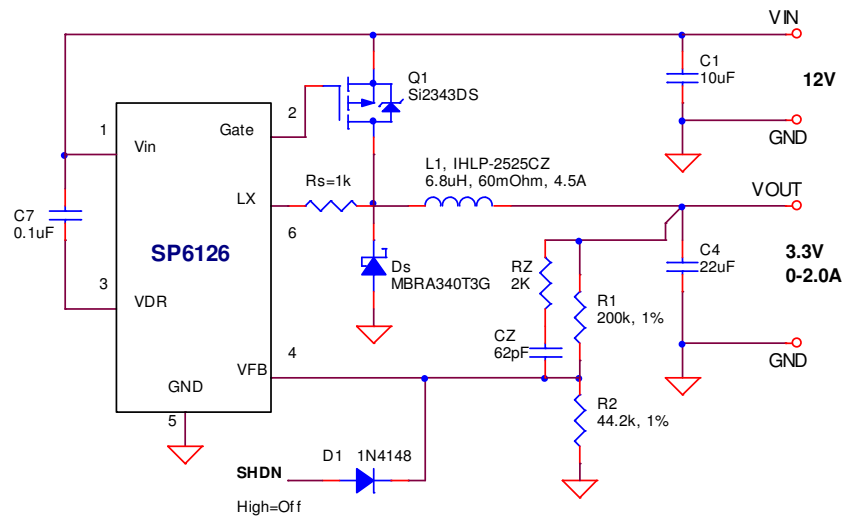


## SP6125 SP6126 SP6127

### High-Voltage, Step Down Controllers in TSOT6

#### TYPICAL APPLICATIONS CIRCUIT



#### Features

- Wide 4.5 to 30V Input Voltage
- Supports designs up to 6Amps
- 100% Duty cycle
- 1% 0.6V feedback
- 300kHz, 600kHz, and 1.3MHz options
- Internal Compensation
- Adjustable current limit
- Tiny 2.8x2.9mm TSOT6 Package

#### Typical Applications

- 24VDC systems in all markets
  - Industrial
  - Automotive after market
  - Embedded systems
  - Factory Automation
- Up to 18VAC Rectified inputs
  - Small consumer electronics
  - Industrial
  - Measurement and Control
  - Security

#### Value Proposition

- Small Solution Size
  - TSOT Package
  - Internal Compensation
  - High Operating Frequency
- High voltage
  - Supports industrial
- Support
  - Planned support in Power Lab
  - Q3 2007

#### Ordering Information

SP6125EK1-L	300kHz
SP6125EK1-L/TR	300kHz
SP6126EK1-L	600kHz
SP6126EK1-L/TR	600kHz
SP6127EK1-L	1.3MHz
SP6127EK1-L/TR	1.3MHz