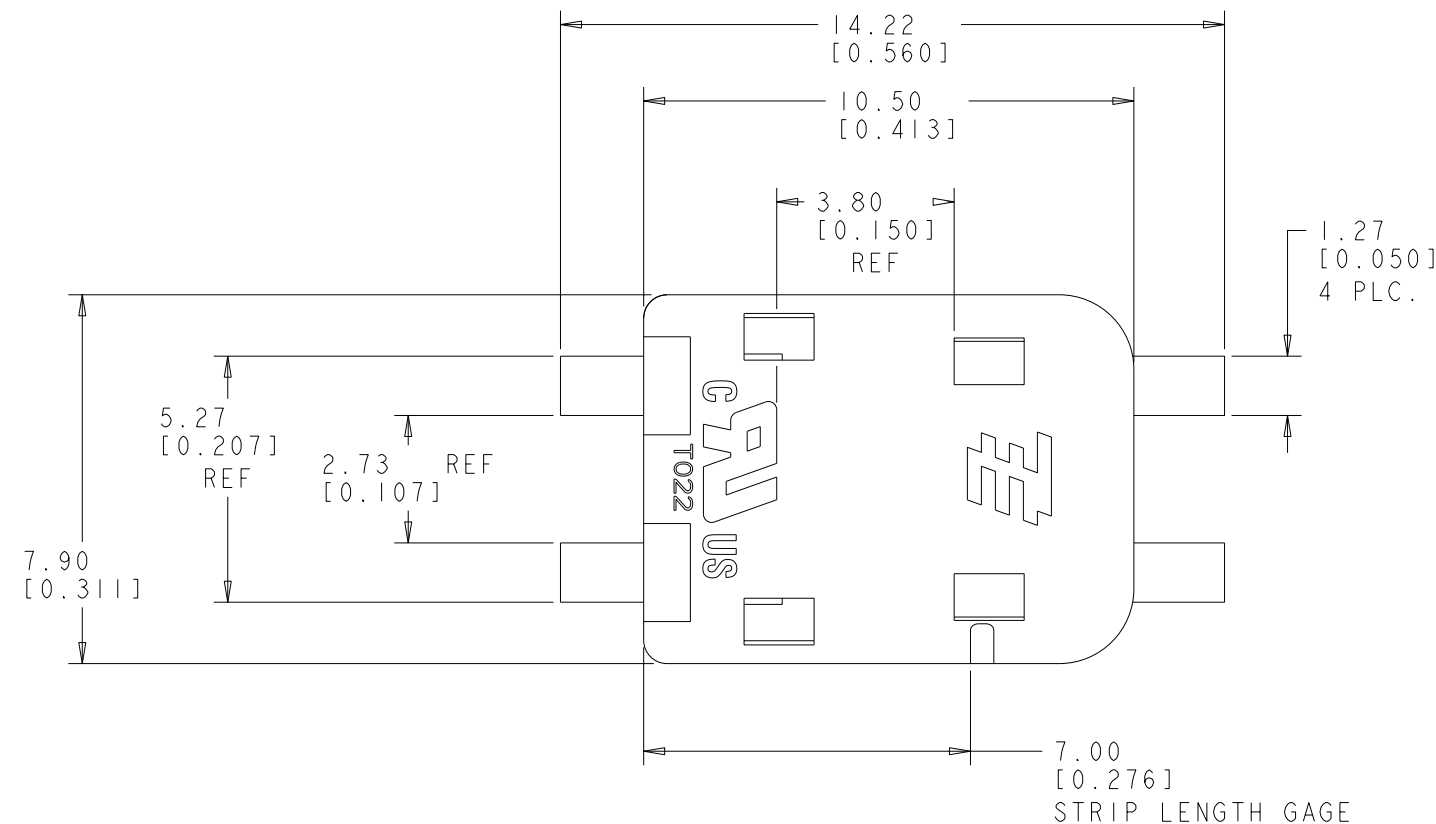
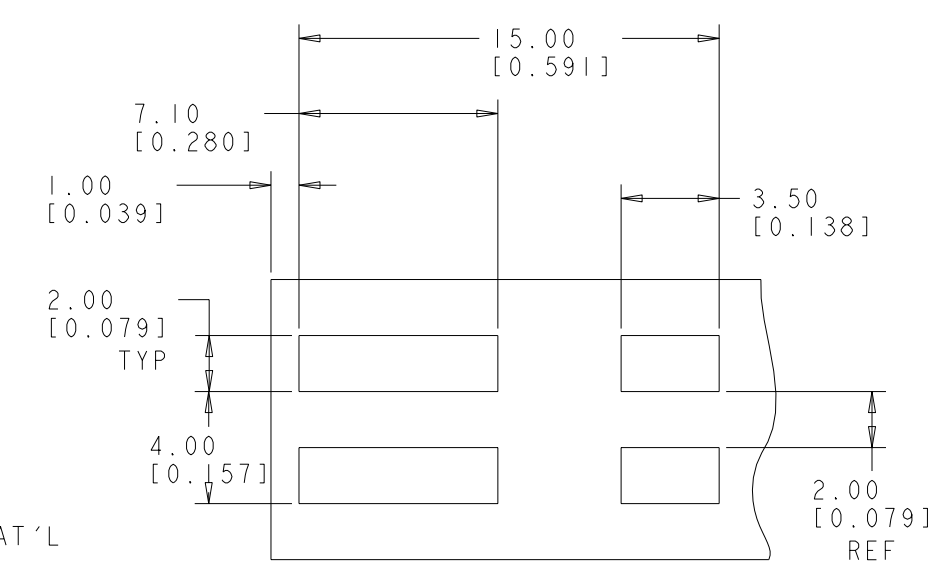
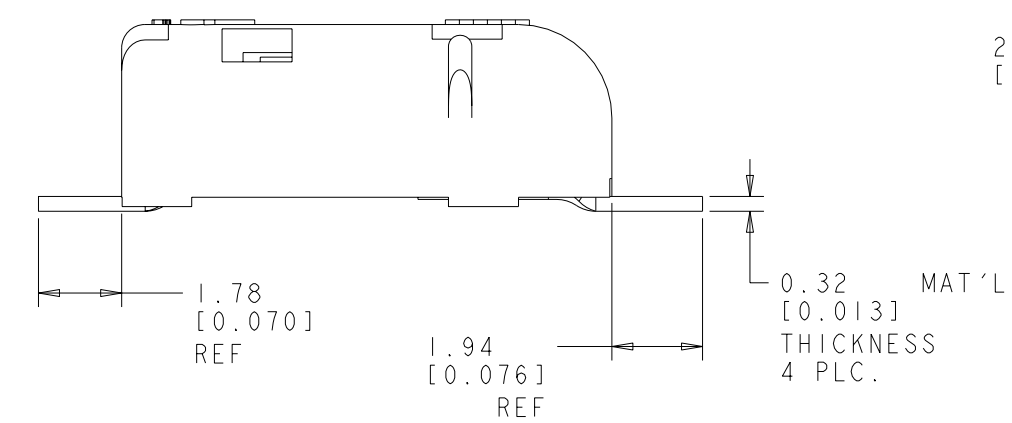
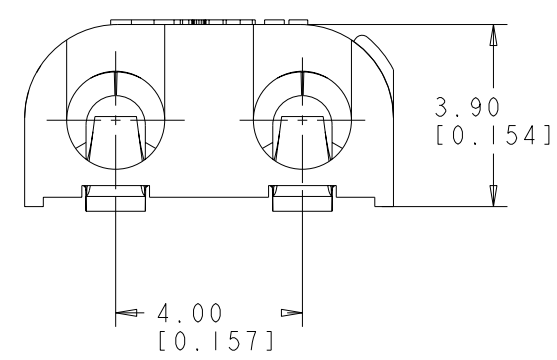


LOC		DIST		REVISIONS			
P	LTR	DESCRIPTION	DATE	DWN	APVD		
9		ADDED NOTE 7 AND 8	01JUN2007	SH	SH		
10		MODIFIED PCB LAYOUT	26JUL2007	SH	SH		



- NOTES :
1. MATERIALS AND FINISH:  
 - HOUSING: LCP  
 - CONTACTS: COPPER ALLOY, FINISH: TIN
  2. MUST COMPLY WITH DIRECTIVE 2002/95/EC (ROHS)
  3. THIS PRODUCT HAS NOT COMPLETED VALIDATION TESTING
  4. WIRE TYPES AND SIZES ACCEPTED  
 18, 20 AND 22 AWG SOLID WIRE  
 18 AND 20 AWG PREBOND STRANDED WIRE  
 18 AWG STRANDED WIRE (7, 9 AND 16 STRAND COUNT)  
 MAX INSULATION OD: 2.10 MM (.083")  
 STRIP LENGTH: 7.0±1.0 (.276")
  5. PACKAGED IN TAPE AND REEL PER EIA-481 SPECIFICATIONS
  6. UL, cUL RECOGNIZED FOR 18 AWG SOLID COPPER WIRE ONLY AT < 48 VDC, 2 AMPS, FILE E28476, VOL 39, SECTION 25
  7. UL, cUL RE-QUALIFICATION IN PROCESS FOR WIRE SIZES LISTED IN NOTE 4 AT <48 VDC, 4 AMPS



**NEW PRODUCT  
 PRELIMINARY  
 IN DEVELOPMENT**

1954097-1  
 PART NO.

THIS DRAWING IS A CONTROLLED DOCUMENT FOR TYCO ELECTRONICS CORPORATION. IT IS SUBJECT TO CHANGE AND THE CONTROLLING ENGINEERING ORGANIZATION SHOULD BE CONTACTED FOR THE LATEST REVISION.		DWN C. DAILY 06JUN2006	tyco Electronics Tyco Electronics Harrisburg, PA 17105-3608	
DIMENSIONS: mm		CHK S. HORST 06JUN2006	NAME POKE-IN LED CONNECTOR ASSEMBLY, 2 POSITION SMT	
TOLERANCES UNLESS OTHERWISE SPECIFIED: 0 PLC ± 1 PLC ±0.2 2 PLC ±0.10 3 PLC ± 4 PLC ± ANGLES ±3° FINISH		APVD -	PRODUCT SPEC 108-2284	
MATERIAL		APPLICATION SPEC 114-13194	SIZE A2	CAGE CODE 00779
		WEIGHT -	DRAWING NO 1954097	RESTRICTED TO -
		CUSTOMER DRAWING	SCALE 7:1	SHEET 1 OF 1
				REV 10